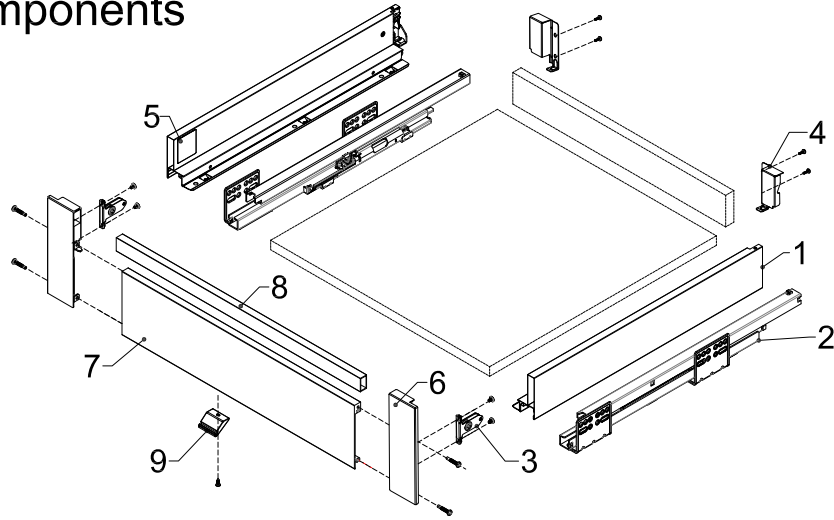




AXIAL Inner Drawer

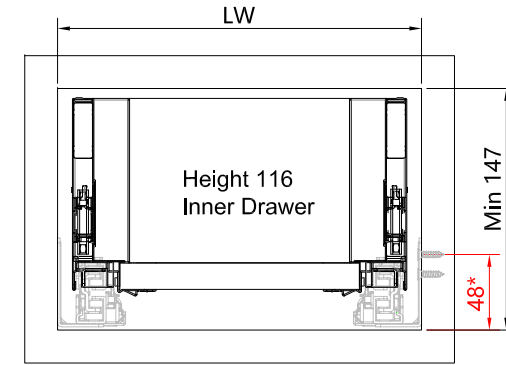
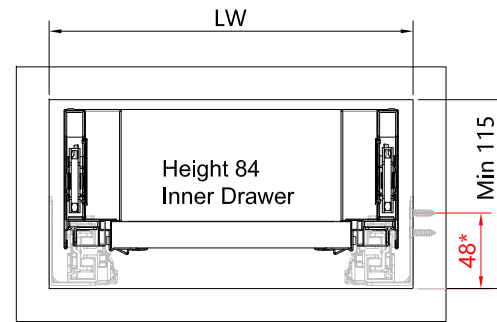
Components



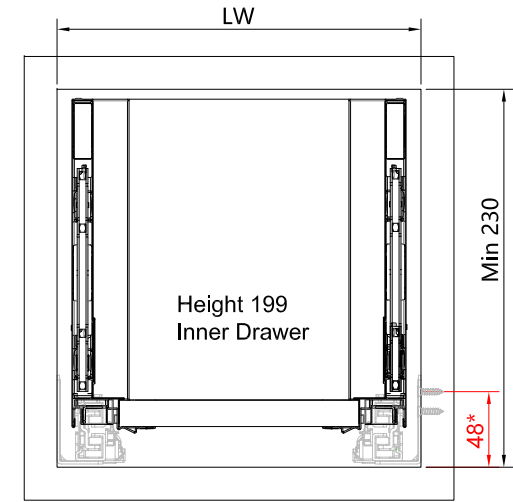
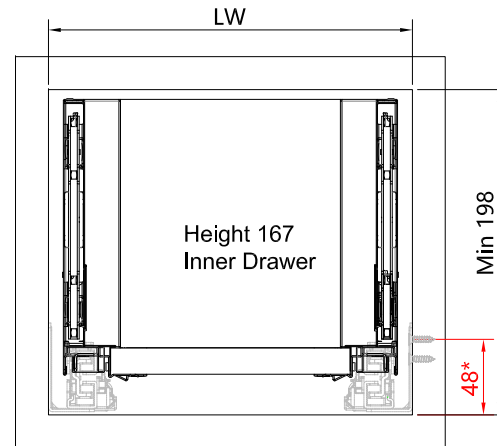
Item No.	Item No.	Drawer Nominal Length (NL)	Min. Internal Cabinet Depth (LT)
1. AXIAL Drawer Sides			
2. Slides			
3. Front Fixing Brackets (screw-fixing)	AXL□□□300△△△	300	303
4. Rear Brackets	AXL□□□350△△△	350	353
5. Side Cover Caps	AXL□□□400△△△	400	403
6. Inner Front Connectors (screws Included)	AXL□□□450△△△	450	453
7. Alu Front Panel (#AXL01F for H84/167/199; #AXL02F for H116)	AXL□□□500△△△	500	503
8. Alu Front Rail (for H116/167/199 only)	AXL□□□550△△△	550	553
9. Bottom Fixing Bracket (for wide drawer)			

□□□ : Drawer Height: 84 / 116 / 167 / 199 △△△: Finish (30 / 100 / 105)

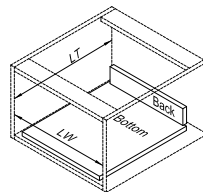
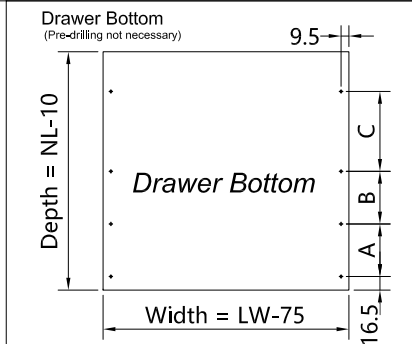
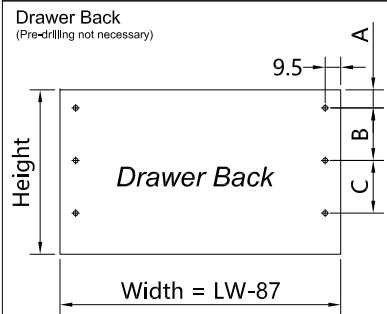
Installation Dimensions (mm)



* Min. 48mm for Alu Front Panel vs. 44mm for standard drawer



Drawer Back & Drawer Bottom Dimensions - 16mm panel

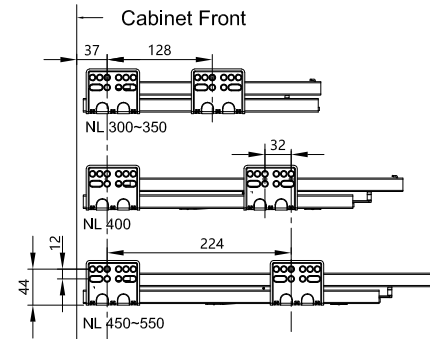


Drawer Model	84	116	167	199
Back Width	LW - 87			
Back Height	68	100	151	183
A	20	20	11	20
B	32	32	64	64
C	n/a	32	64	64

	NL	300	350	400	450	500	550
Bottom Width	LW - 75						
Bottom Depth	NL - 10						
A	211	128	160	192	128	160	
B	n/a	133	151	169	128	160	
C	n/a	n/a	n/a	n/a	155	141	

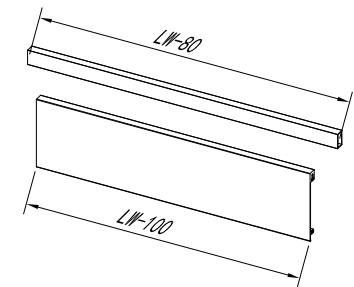
NL: Nominal length
LT: Internal cab. depth
LW: Internal cab. width

Slides Mounting (mm)



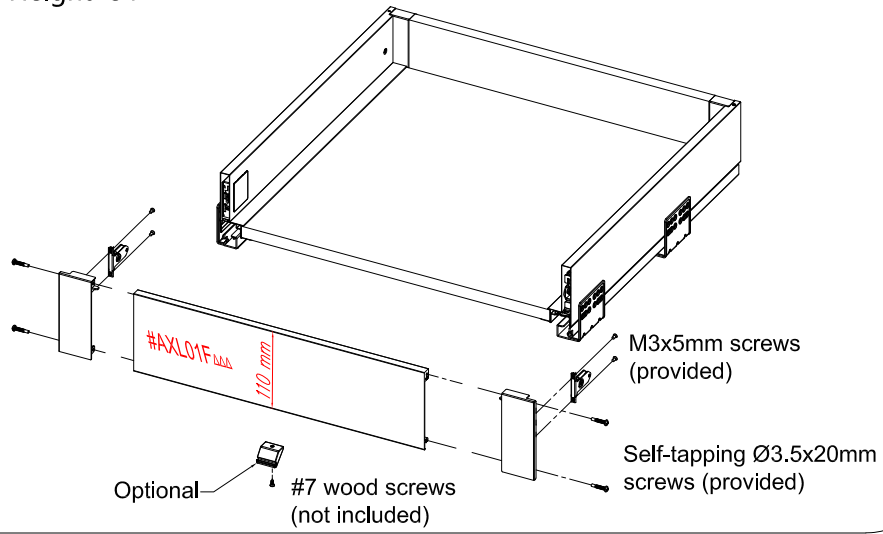
Alu. Front Panel & Front Rail (mm)

Front Rail width = LW-80
Front Panel width = LW-100

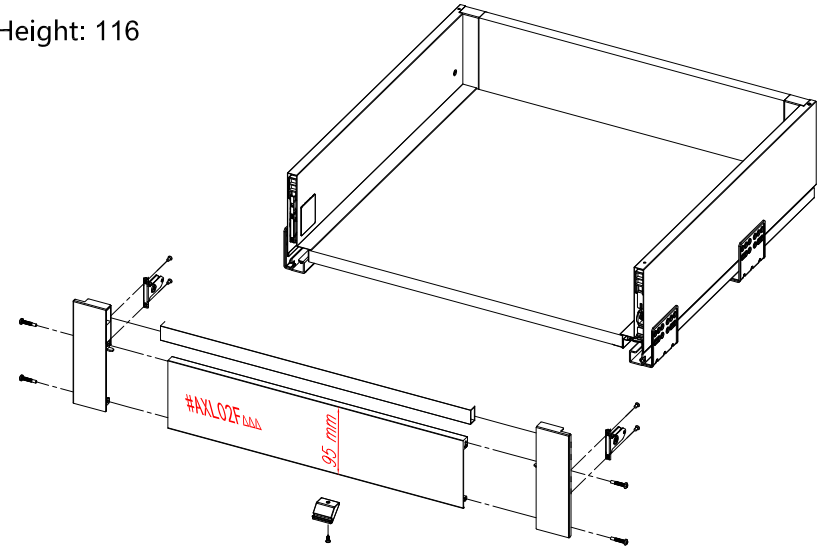


Inner Drawer Assembly

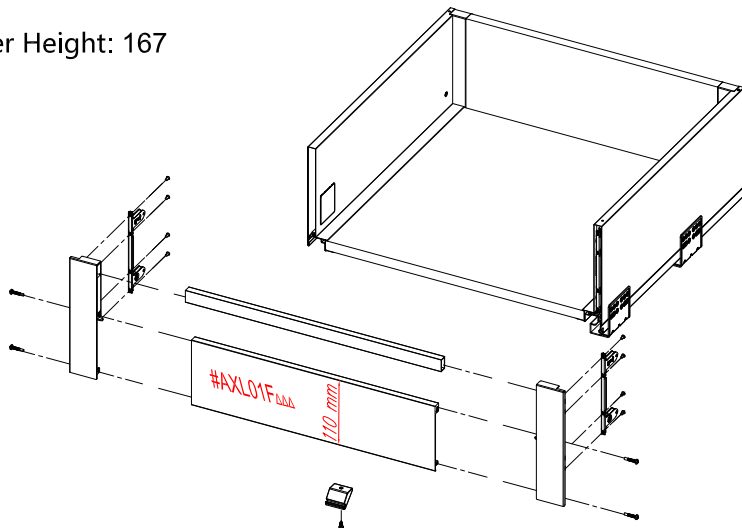
Drawer Height: 84



Drawer Height: 116



Drawer Height: 167



Drawer Height: 199

