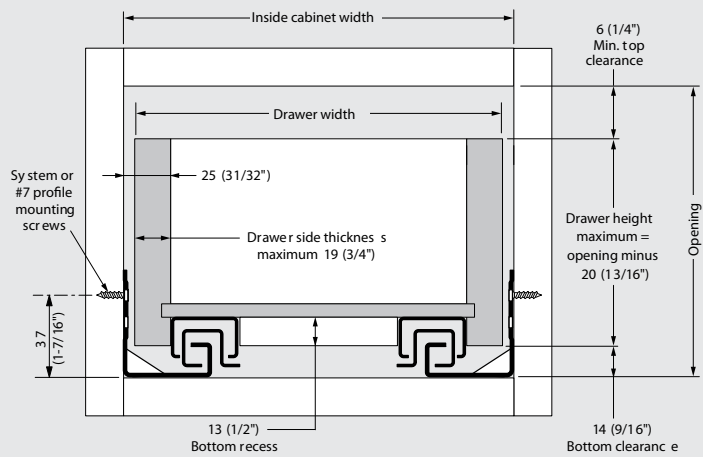


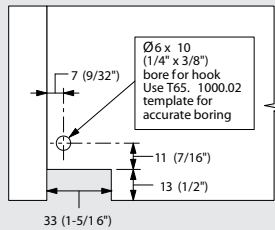
Drawer Size & Mounting Positions

For Frame and Panel cabinet applications

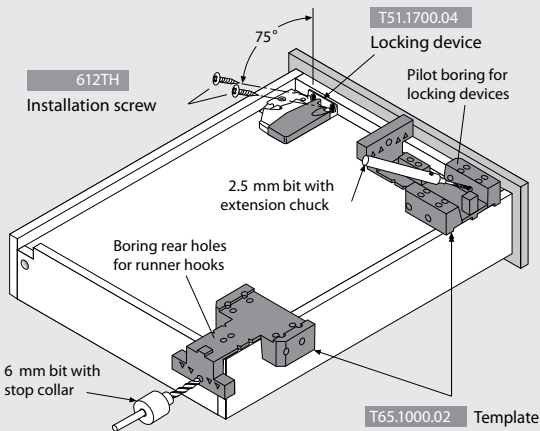


Formula for calculating outside drawer width					
For drawer side thickness	19 (3/4")	18 (23/32")	17 (21/32")	16 (5/8")	15 (19/32")
Deduct from inside cabinet width	11 (7/16")	13 (15/32")	14 (9/16")	17 (21/32")	19 (3/4")

NOTE: Because material thickness may vary, the inside drawer width must equal interior cabinet width minus 50 (1-15/16") for TANDEM to align and run properly.

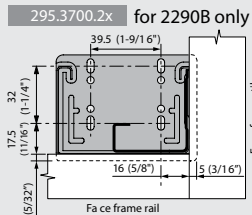
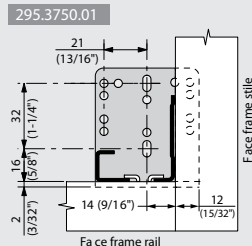


Preparing drawer for hardware installation



Important: Use of the T65.1000.02 template is recommended for accurate location and angle of locking device pilot holes.

Rear bracket

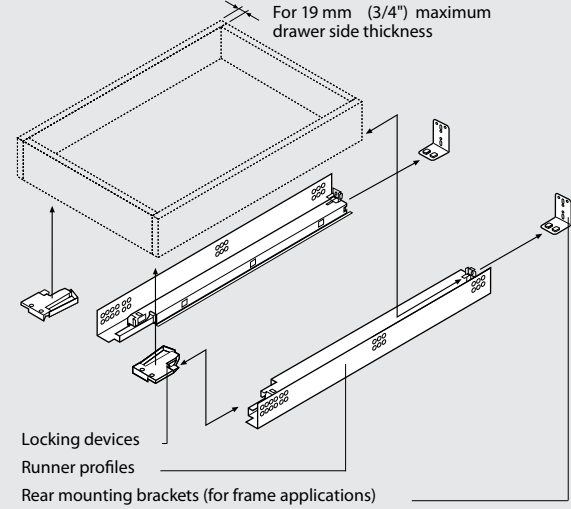


NOTE: For frame applications. Minimum 3 screws per bracket.

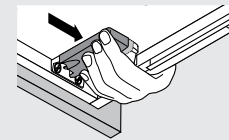
Installation Instructions

TANDEM plus BLUMOTION 562F

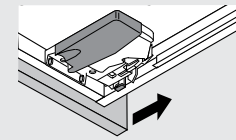
Full extension concealed drawer runners



Drawer removal and installation



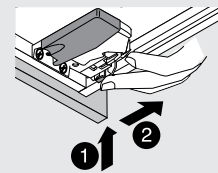
1. Squeeze orange handles on locking devices
2. Pull drawer straight out and up



1. Place drawer on runners and close, locking devices will automatically connect to runners

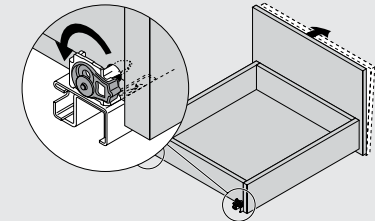
Height adjustment

1. Press up on adjustment tab.
2. Push towards back of drawer. Max. 3mm (1/8") rise of drawer.



Tilt adjustment

- Rotate the tilt adjustment lever on the rear of each runner profile to tilt the top of the drawer front forward.



Tool free tilt adjustment +5 mm.