

Pocket Door

4 wheel Soft Close Hardware

4-WHEEL SOFT CLOSE KITS

HWSCF6420-4WBB1020
(10-20 KG OR 22-44 LBS)

HWSCF6420-4WBB2040
(20-40 KG OR 44-88 LBS)

HWSCF6420-4WBB4060
(40-60 KG OR 88-132 LBS)

HWSCF6420-4WBB6085
(60-85 KG OR 132-187 LBS)

RETROFIT: INSTALLATION INSTRUCTIONS



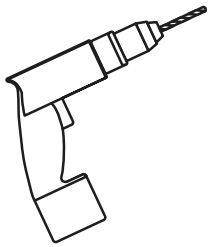
PLEASE READ CAREFULLY

- Read all instructions carefully
- Protect your eyes by wearing safety goggles
- Keep the installation area free of clutter
- We recommend two people for certain parts of the installation
- Follow each step completely before starting the next step

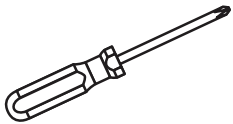
IMPORTANT!

- This kit is designed to install onto most existing flat wheel tracks to ensure a smooth and gentle close action
- If using this kit for a retrofit application, it will replace your existing 4-wheel trolley and hanger plate parts
- A track is not included with the kit and utilizes the existing track for a retrofit installation
- These instructions will focus on a retrofit installation. The kit can be used for new installs as well.

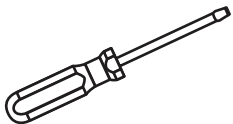
TOOLS REQUIRED (NOT PROVIDED)



Power Drill



#2 Phillips Screwdriver



Flat Head Screwdriver

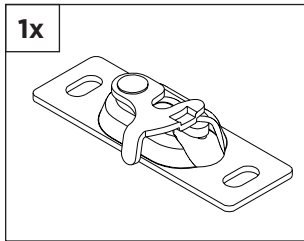


1/8 inch Wood Drill Bit

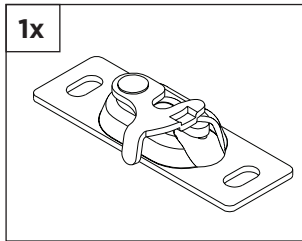
IMPORTANT!

VERIFY THAT ALL PARTS ARE INCLUDED IN THE PACKAGING. IF ANY PARTS ARE MISSING, DO NOT RETURN THIS PRODUCT TO THE STORE.
 FOR ANY PARTS ASSISTANCE, PLEASE CALL 1-800-493-5263 BETWEEN 8:30 AM - 4:30 PM EST, MONDAY TO FRIDAY
 LANGUAGE: English, French and Spanish

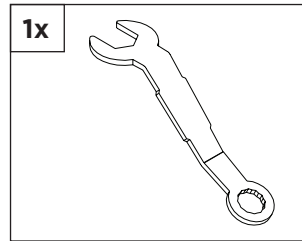
PACKAGE CONTENTS



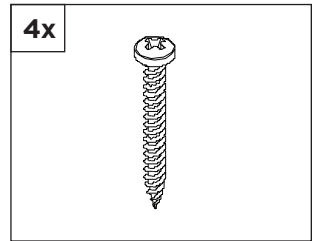
(A2) Hanger Plate



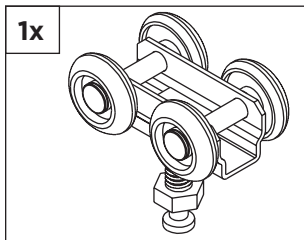
(B2) Hanger Plate



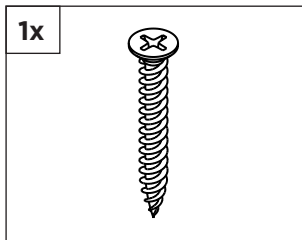
(C) Adjusting Wrench



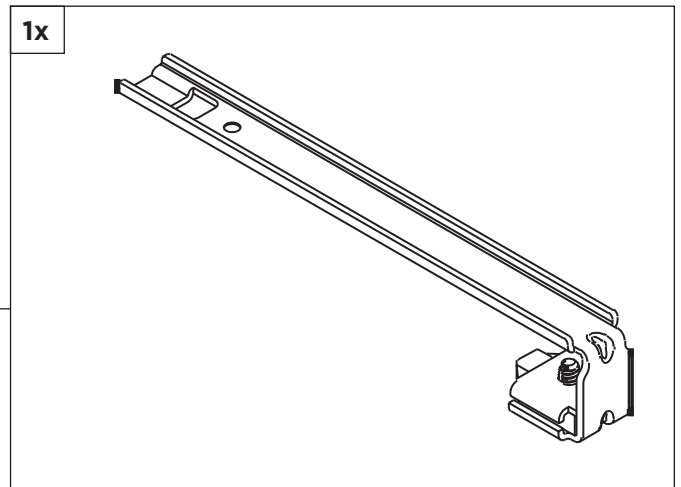
(F) Hanger Plate Screws
(2 per plate)



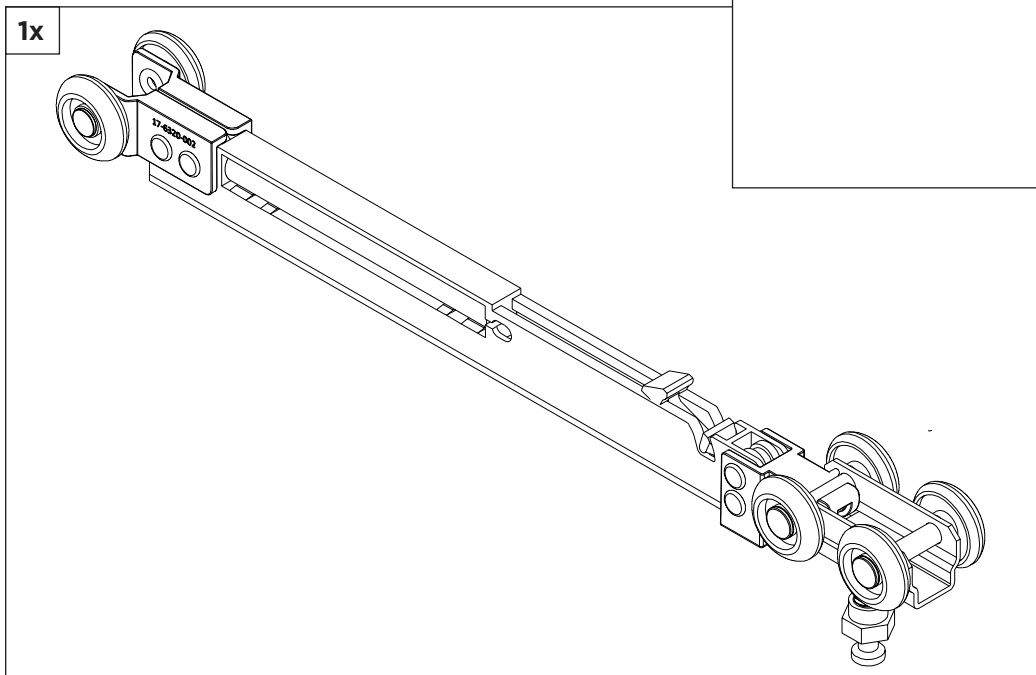
(A1) 4-wheel Trolley



(G) 1.25 in Flat Head Screw



(D) Soft Close Trigger with
Snugger Assembly



(B1) Soft Close with Trolley Assembly

Before You **Begin**



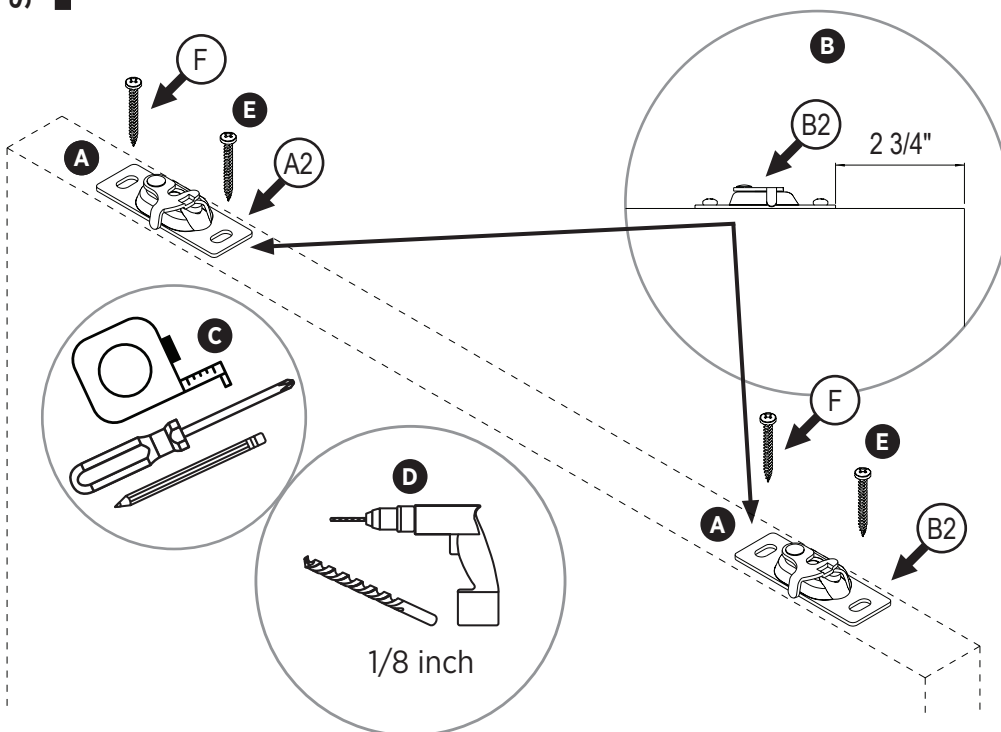
Door Preparation

- A)** Remove any necessary trim around the door opening to allow access to the existing hanger plate clasps to disengage and remove the door.
- B)** With the door removed, discard each 4-wheel trolley and any end stop of snigger inside the track. This will ensure the track is left clear and accessible, ready to install the new hardware.

IMPORTANT!

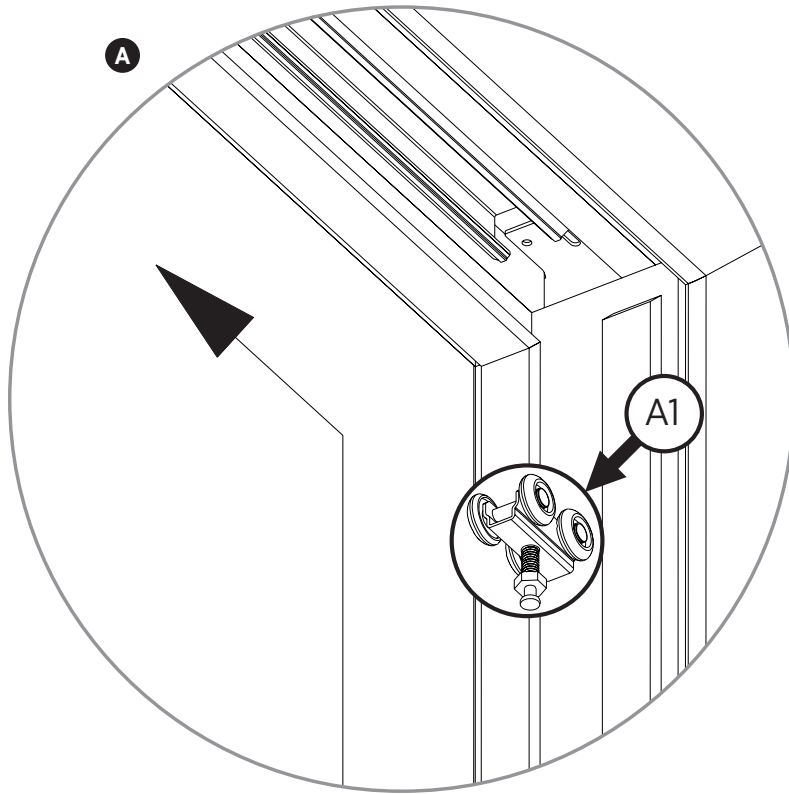
Use a step-ladder to gain optimal access to the top of the door and inside the track.

STEP 1 Installing the hanger plates



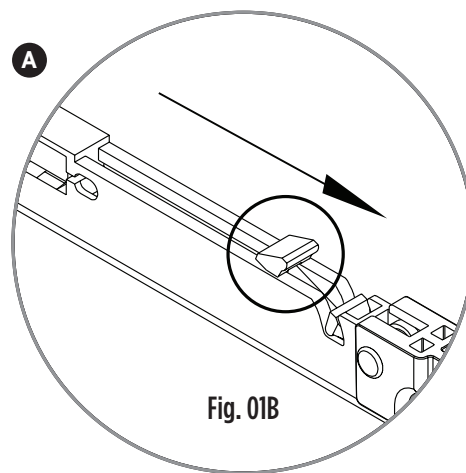
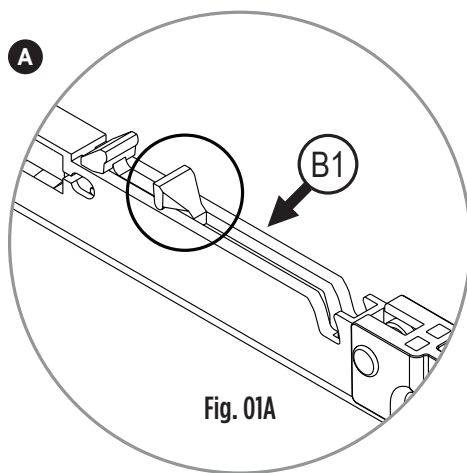
- A)** Remove the existing hanger plates from the door.
- B)** On the top of the door, measure and mark $2 \frac{3}{4}$ inch from the outside edge. Place the hanger plate on the top of the door, lining it up with your mark (ensuring you have $2 \frac{3}{4}$ inch clearance from the edge).
- C)** Use the hanger plate as a template – mark the position of the two holes with a pencil (do not affix at this time).
- D)** Drill a $\frac{1}{8}$ inch pilot hole at each mark. Repeat on the other hanger plate.
- E)** Secure hanger plates using the screws supplied (F) using a #2 Phillips screwdriver.

STEP 2 Insert trolley into track



- A)** Insert the 4-wheel trolley (A1) inside the open area of the track (as shown)

STEP 3 Securing the soft close trigger into position



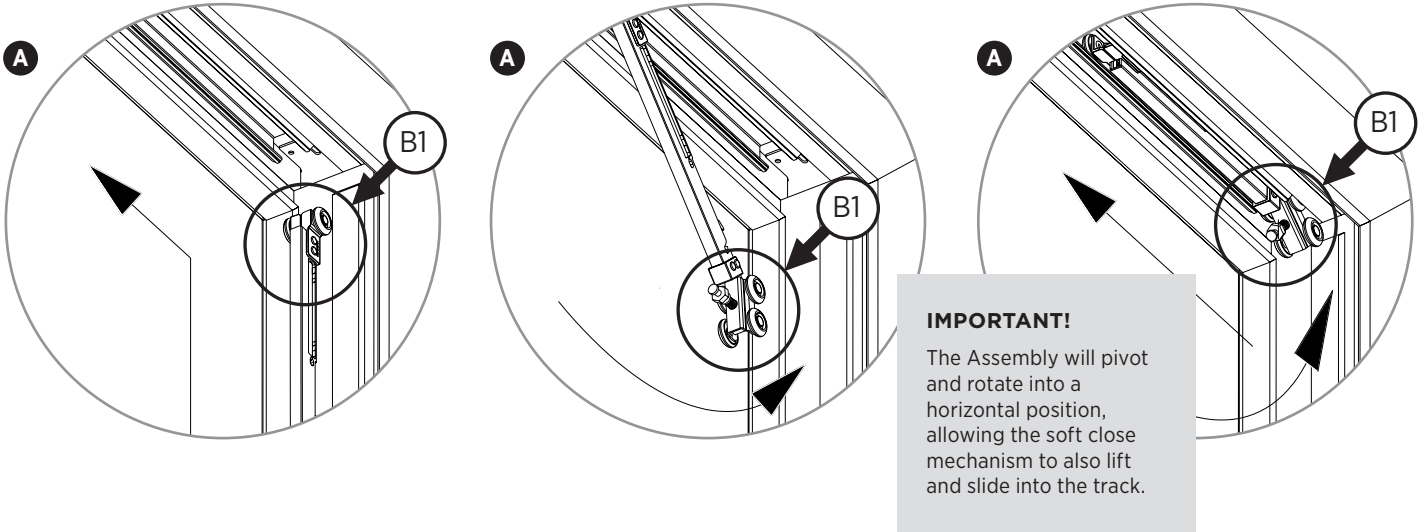
- A)** Position the Soft Close Mechanism Catch (B1) to the disengaged position.

IMPORTANT!

You can test the functionality of the Soft Close Mechanism Catch by pushing the catch to action the soft close. Remember to reset the catch to the disengaged position each time.

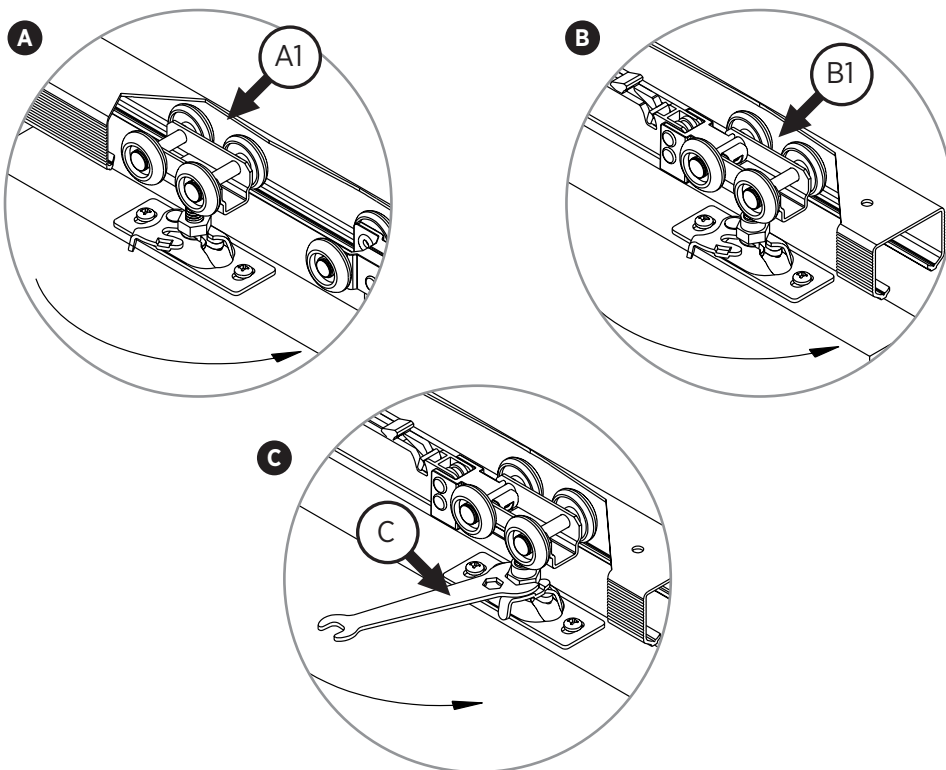
STEP 4 Insert soft close with trolley assembly into track

A) Holding the Soft Close with Trolley Assembly (B1) vertically, insert it inside the track, leading with the single wheel.



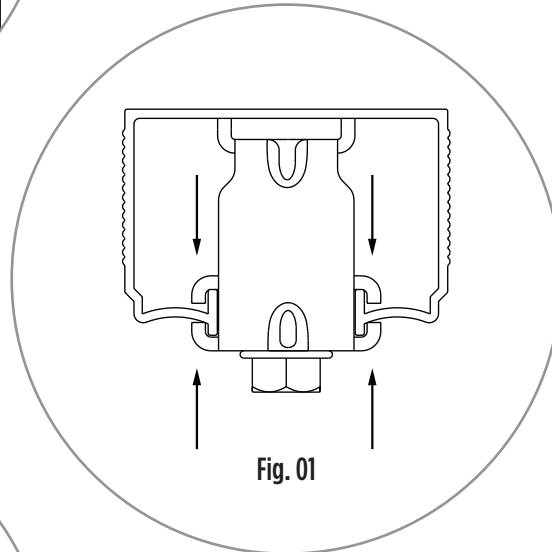
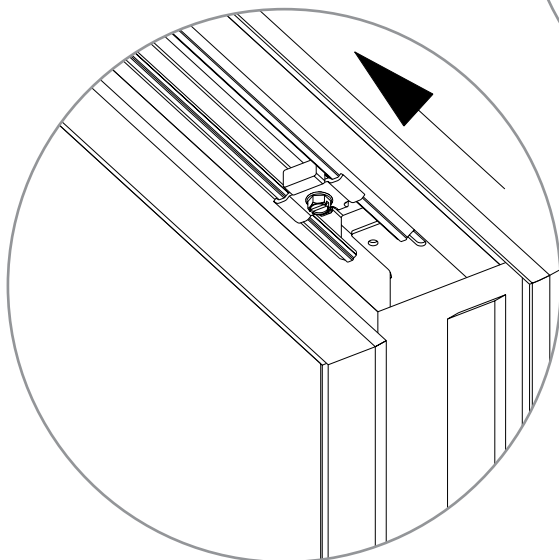
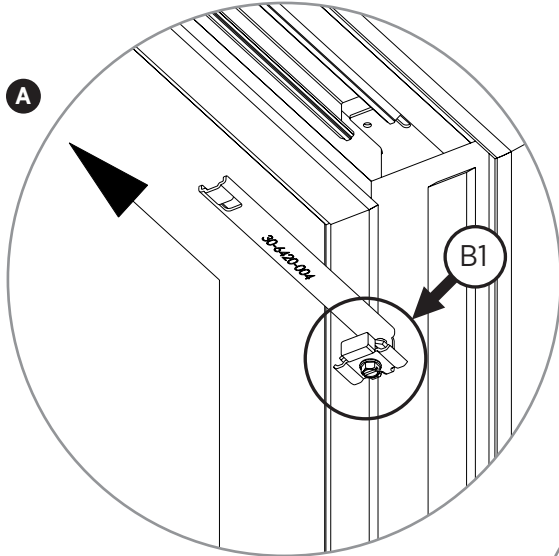
STEP 5 Installing and securing the door

- A)** To install the door, lift up and position each of the trolleys (A1 & B1) above each of the hanger plates that were previously installed on the top of the door. Tilt door until bolt slides into seat of hanger plate.
- B)** Engage and lock the clasps on each hanger plate to secure each trolley in place.
- C)** Using the wrench (C) provided, adjust the hex nut on each trolley equally. Correct accordingly for height, and plumb with jamb.



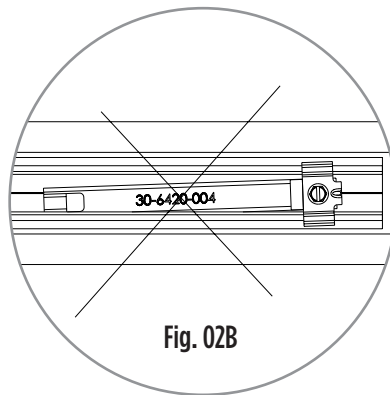
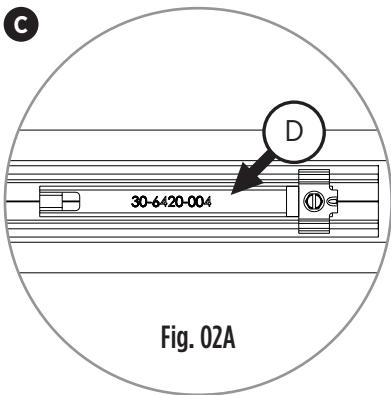
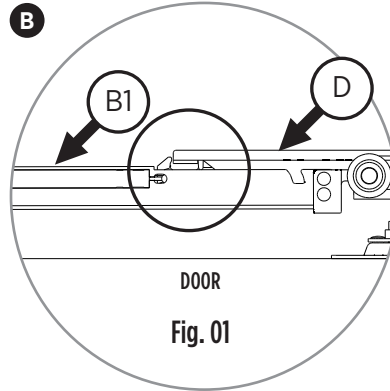
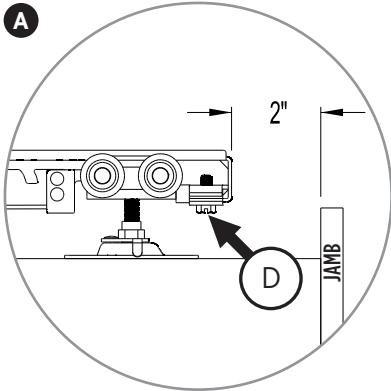
HINT:

Installing the door is easier with two people, allowing one person to use both hands to engage and lock clasps.

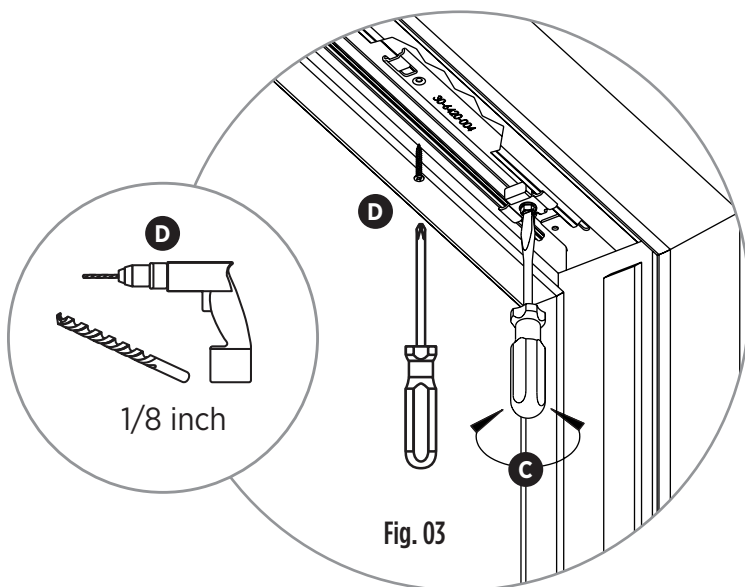
STEP 6 Insert trigger and snigger end stop assembly into track

A) With the door slid out of the way, insert the Soft Close Trigger with Snigger Assembly (D) into the open area of the track. Ensure you lead with the trigger facing inside the pocket. The snigger end stop clamps must sandwich the track to secure into position correctly.

STEP 7 Determining the soft close mechanism trigger position



- A)** Determine the Soft Close Trigger with Snugger Assembly (D) position by a distance of 2 5/16 inch from the face of the jamb.
- B)** When closing the door, the soft close catch (B1) will engage the Soft Close Trigger with Snugger Assembly (D), activating the soft close, resulting in the door resting against the jamb.
- C)** To correct any gap, adjust the distance of the trigger assembly accordingly and lock slightly again.
- D)** Drill a 1/8 inch pilot hole through aluminium track using Trigger Arm as a guide, then screw in the flat head screw.



IMPORTANT!
Ensure the Soft Close Trigger with Snugger Assembly is straight along the inside track. With the door slid out of the way, secure into position with a flat head screwdriver as shown.

STEP 8 Finish the installation



A) To finish the installation, re-apply any trim previously removed.

You did it!

Enjoy your new Renin 3 Wheel Soft Close Hardware

5 YEAR LIMITED WARRANTY

Renin Corp warranties their products against manufacturer's defects for up to five years from the purchase date. The warranty applies only to the original purchaser of the product from Renin Corp.

If a product is determined to be defective due to a manufacturers defect, Renin Corp will supply a replacement product. The scope of the warranty is limited to replacing the product and does not include labor to install, repair, deliver, or to remove the existing product.

This warranty is void in the event the product is damaged in transit, or if damage or failure is caused by abuse, misuse, storage of products in an improper environment, abnormal usage, faulty installation, failure to follow installation instructions, damage in an accident, improper maintenance, or any repair. Renin Corp reserves the right to inspect any claim prior to issuing credit.



1141 RYDER STREET
TUPELO, MS 38804

110 WALKER DRIVE
BRAMPTON, ON L6T 4H6

T. 800-493-5263
F. 905-791-7930

W. RENIN.COM
E. INFO@RENINCORP.COM

Follow Us

