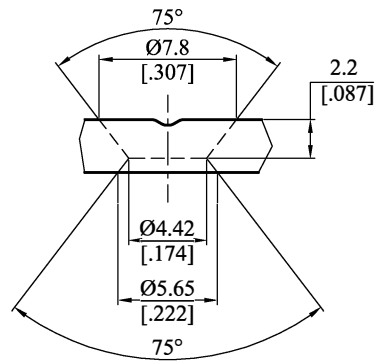
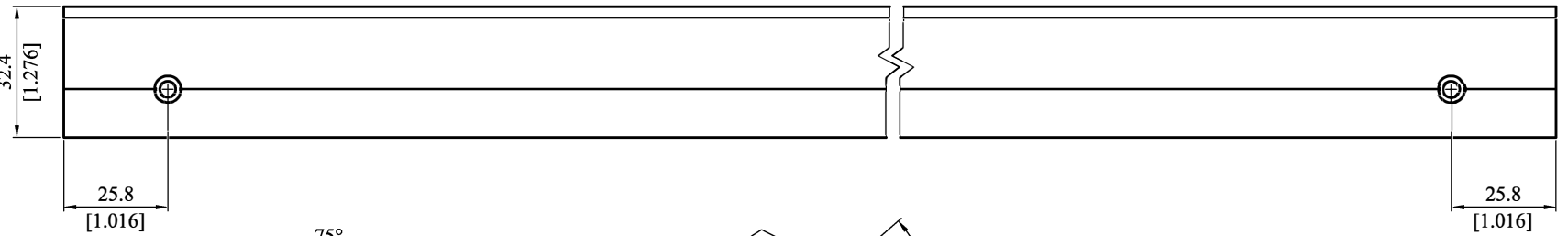
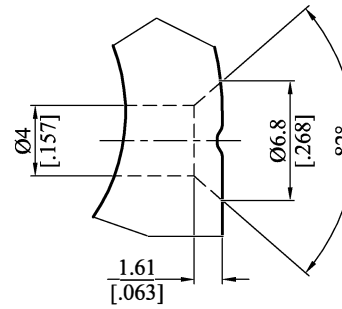


Alu Profile's
Code: QL017
Alloy: 6063T5



DETAIL A



DETAIL B

GENERAL TOLER		
DIMENSION	AREA	TOLER
0 OVER	10 UNDER	±0.20
10 OVER	25 UNDER	±0.25
25 OVER	38 UNDER	±0.30
38 OVER	50 UNDER	±0.40
50 OVER	100 UNDER	±0.60
100 OVER	180 UNDER	±0.85
180 OVER		±1.00
ANGLES		±1°

3		
2		
1		

QL			
TK Code: QL020-03	Cus Code:		
Date: FEB/11/2020	Rev: 00	Sheet: 1/1	Unit: mm

Approved by:	Checked by:	Drawn by:
--------------	-------------	-----------

