

# LEGGERO WINE PEGS

## BOTTLE CAPACITY

Stores one 750 ml bottle per pair

## WINE PEG DIMENSIONS

7 1/16" x 1/2"  
(180 mm x 12 mm)

## PRODUCT NO.

WP100010 – Aluminum  
WP100900 – Matte Black

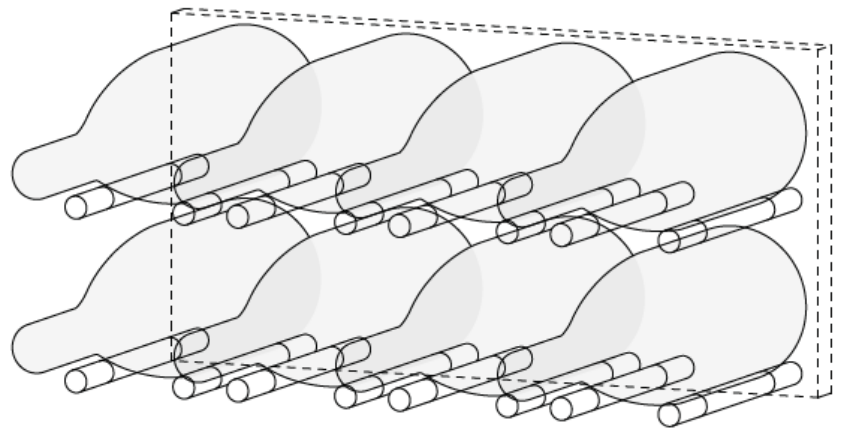
## MATERIALS

Aluminum  
Silicone O-rings

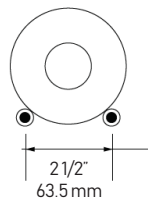
## INSTALLATION OPTIONS

Wine pegs require a wall panel for secure installation. The panel thickness and design will determine the type of hardware required.

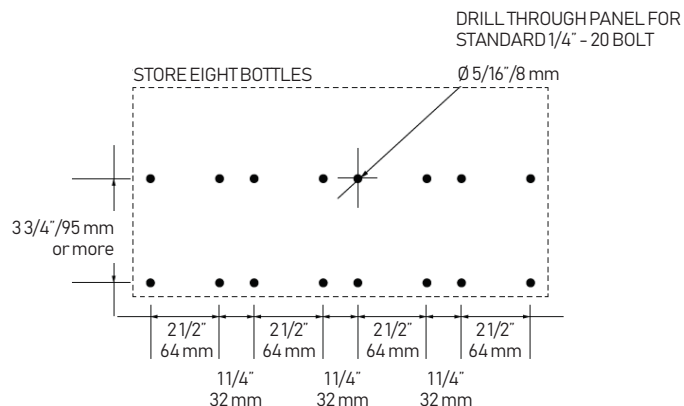
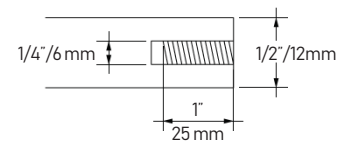
Refer to the installation instructions manual



## LAYOUT DIMENSIONS



## THREAD DIMENSIONS



# PIENO WINE PEGS

## BOTTLE CAPACITY PER ROW

X pegs = X-1 bottles

### 3 pegs:

stores two 750 ml bottles

### 6 pegs:

stores five 750 ml bottles

### 9 pegs:

stores eight 750 ml bottles

## WINE PEG DIMENSIONS

7 1/16" x 1"

(180 mm x 25 mm)

## PRODUCT NO.

WP200010 – Aluminum

WP200900 – Matte Black

## MATERIALS

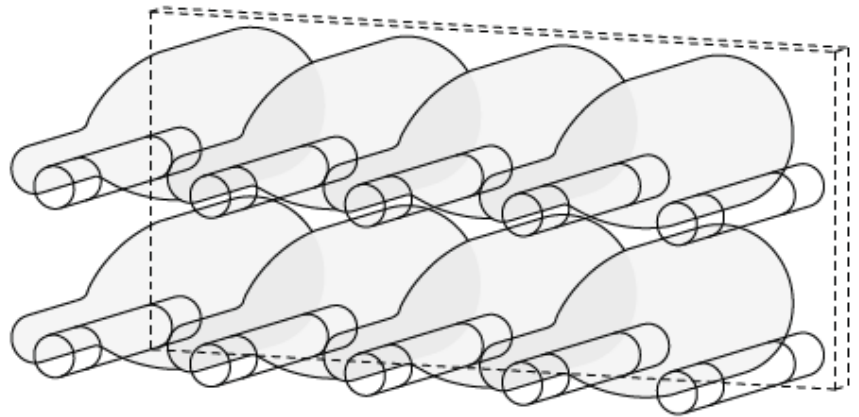
Aluminum

Silicone O-rings

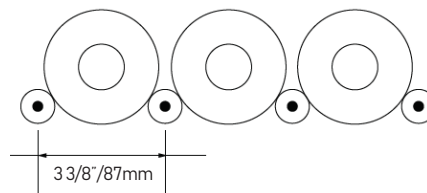
## INSTALLATION OPTIONS

Wine pegs require a wall panel for secure installation. The panel thickness and design will determine the type of hardware required.

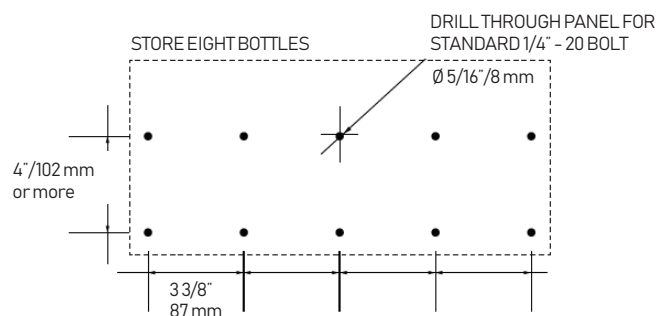
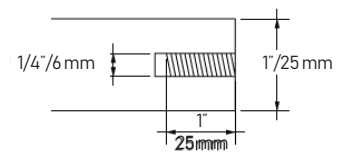
Refer to the installation instructions manual



## LAYOUT DIMENSIONS



## THREAD DIMENSIONS



# VITIGNO 1 WINE PEGS

## BOTTLE CAPACITY

Stores one 750 ml bottle per pair

## WINE PEG DIMENSIONS

3 3/8" x 3/4"  
(85 mm x 19 mm)

## PRODUCT NO.

WP301010 – Aluminum  
WP301900 – Matte Black

## MATERIALS

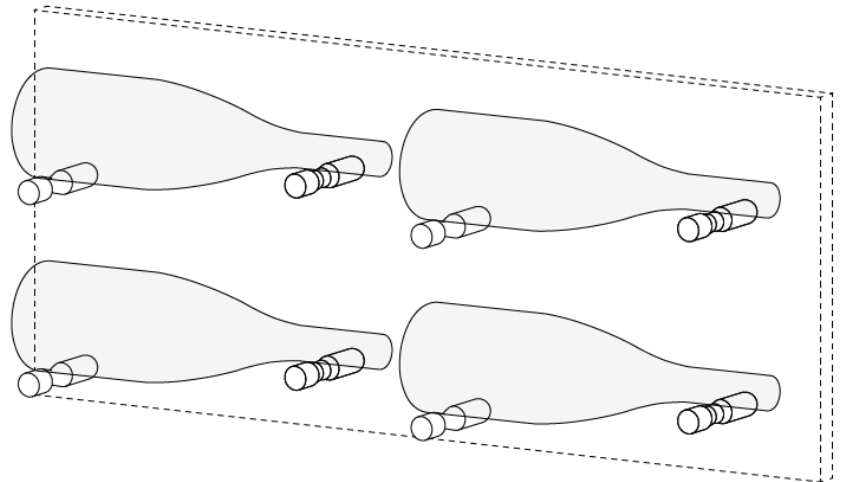
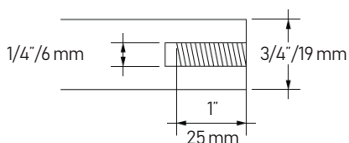
Aluminum  
Silicone O-rings

## INSTALLATION OPTIONS

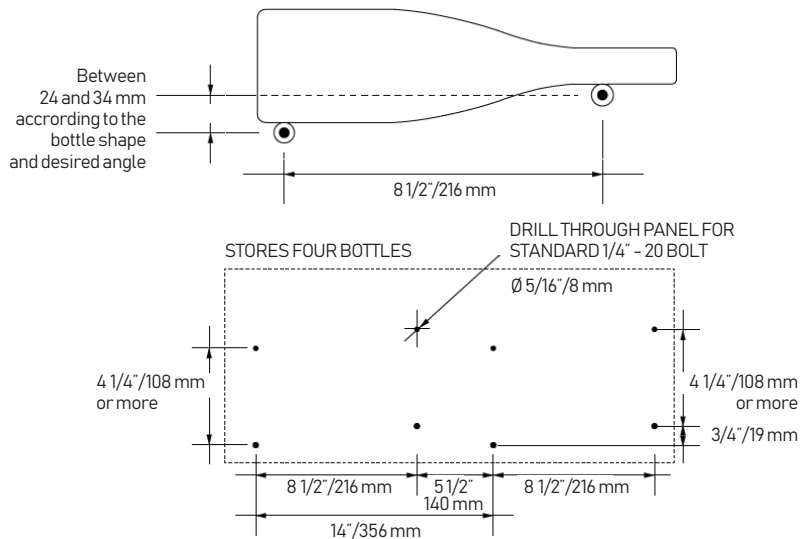
Wine pegs require a wall panel for secure installation. The panel thickness and design will determine the type of hardware required.

Refer to the installation instructions manual

## THREAD DIMENSIONS



## LAYOUT DIMENSIONS



# VITIGNO 2 WINE PEGS

## BOTTLE CAPACITY

Stores two 750 ml bottles per pair

## WINE PEG DIMENSIONS

7 1/16" x 3/4"  
(180 mm x 19 mm)

## PRODUCT NO.

WP302010 – Aluminum  
WP302900 – Matte Black

## MATERIALS

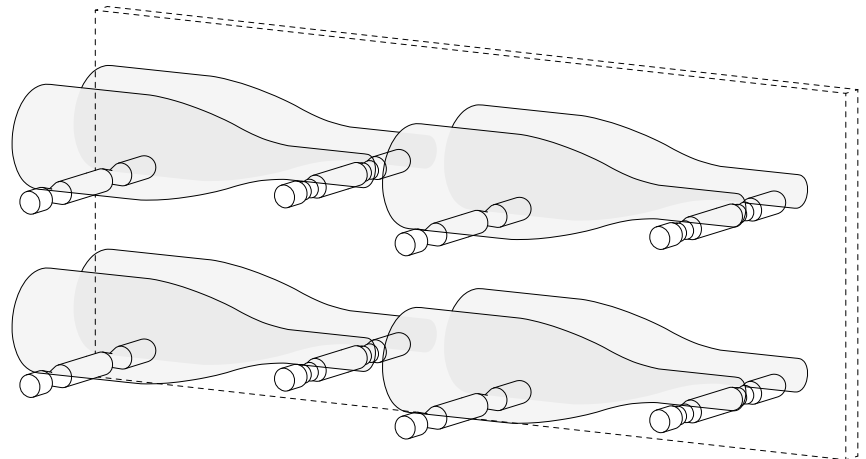
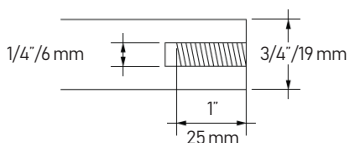
Aluminum  
Silicone O-rings

## INSTALLATION OPTIONS

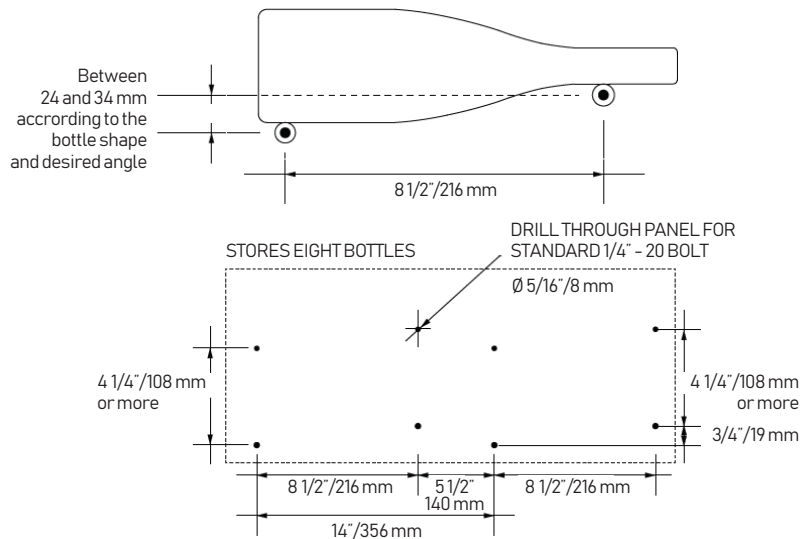
Wine pegs require a wall panel for secure installation. The panel thickness and design will determine the type of hardware required.

Refer to the installation instructions manual

## THREAD DIMENSIONS



## LAYOUT DIMENSIONS



# VITIGNO 3 WINE PEGS

## BOTTLE CAPACITY

Stores three 750 ml bottles per pair

## WINE PEG DIMENSIONS

1 13/16" x 3/4"  
(275 mm x 19 mm)

## PRODUCT NO.

WP303010 – Aluminum

WP303900 – Matte Black

## MATERIALS

Aluminum

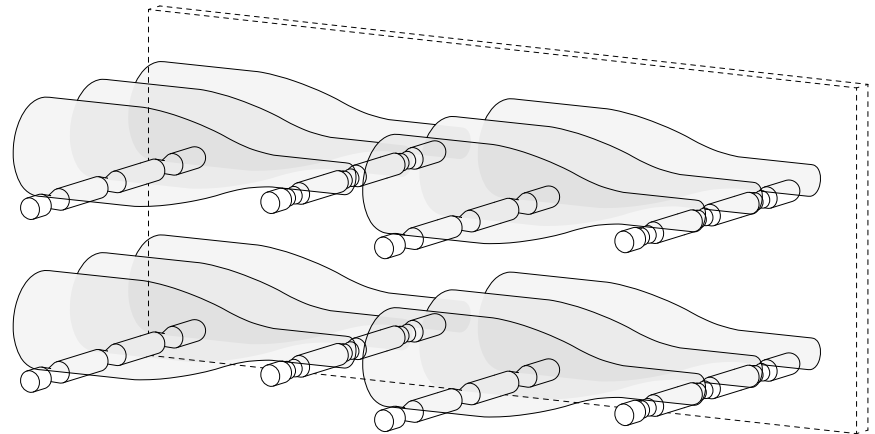
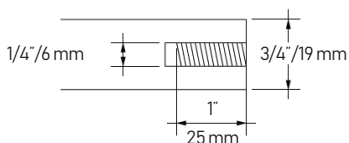
Silicone O-rings

## INSTALLATION OPTIONS

Wine pegs require a wall panel for secure installation. The panel thickness and design will determine the type of hardware required.

Refer to the installation instructions manual

## THREAD DIMENSIONS



## LAYOUT DIMENSIONS

