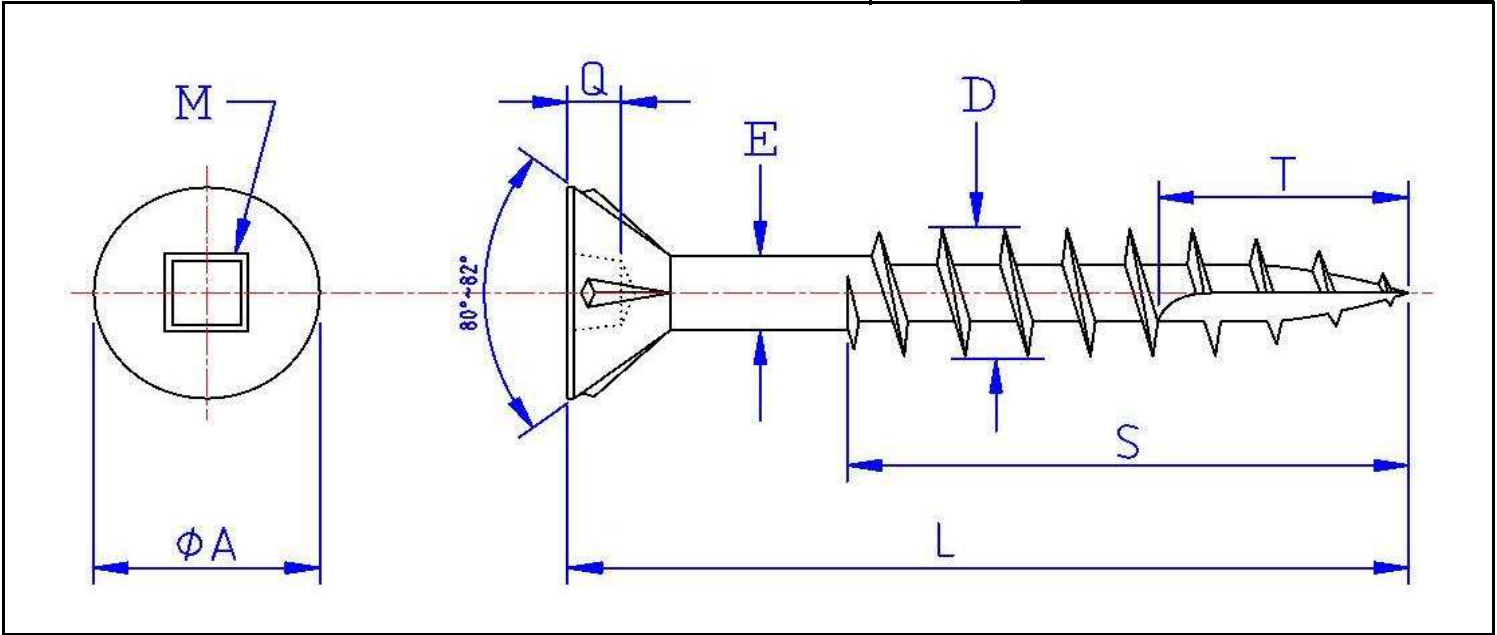




Brand	Root
	<b>FK2NC17Z...</b>



unit: INCH

<b>L</b> LENGTH TOLERANCE	≤ 5/8"	+ 0	- 0.03
	> 5/8" to ≤ 1-1/2"	+ 0	- 0.05

<b>S</b> THREAD LENGTH	< 1"	Full Thread
	≥ 1"	2/3 Thread

SCREW SIZE	M PUNCH		Q DRIVE DEPTH	A HEAD DIAM.	E BODY DIAM.	D THREAD DIAM.	T POINT LENGTH	THREAD PER INCH	TORK INCH/ POUND
# 6	# 2 s	Min	0.048	0.244	0.103	0.142	0.300	12	24
		Max	0.063	0.279	0.108	0.153	0.375		

**Flat Countersunk head with NIBS, Square #2, Wood Screw Coarse Thread, Type-17, Zinc & WAX**

Root= Flat socKet #2 Nibs Coarse 17 Zinc

**Bulk Label Description:**

English: FLAT HEAD WITH NIBS, SQUARE #2, WOOD SCREW, COARSE THREAD, TYPE-17, ZINC & WAX

French: VIS À BOIS GROS FILET, TYPE-17, TÊTE PLATE AVEC NIBS, CARRÉ #2, ZINC & CIRE

Spanish: TORNILLO PARA MADERA, ROSCA GRUESA, TIPO 17, CABEZA PLANA AUTORROSCANTE, CUADRADO #2, ZINC Y ENCERADO

Date: 11 février 2019

Done by: P.B.