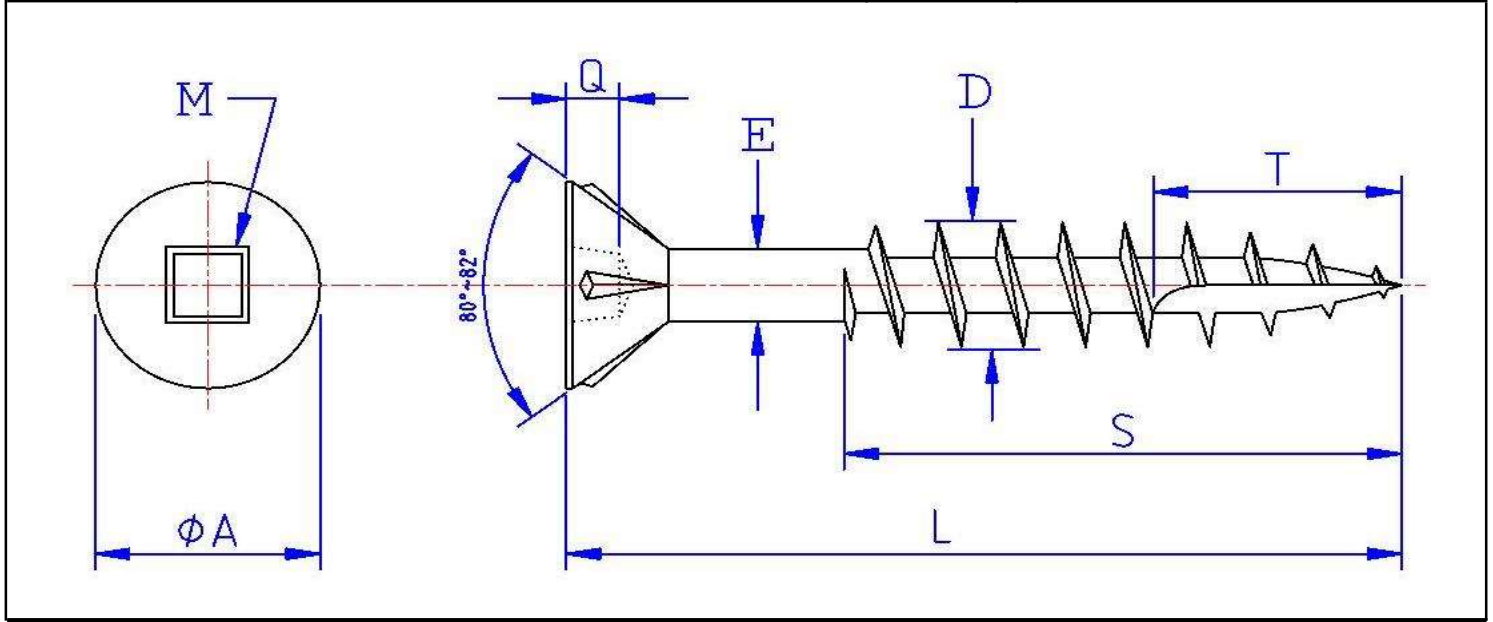




Brand	Root
	FKNC17Z...



unit: INCH

L LENGTH TOLERANCE	≤ 5/8"	+ 0	- 0.03
	> 5/8" to ≤ 1-1/2"	+ 0	- 0.05

S THREAD LENGTH	< 1"	Full Thread
	≥ 1"	2/3 Thread

SCREW SIZE	M PUNCH		Q DRIVE DEPTH	A HEAD DIAM.	E BODY DIAM.	D THREAD DIAM.	T POINT LENGTH	THREAD PER INCH	TORK INCH/ POUND
# 8	# 2	Min	0.060	0.292	0.121	0.168	0.375	10	39
		Max	0.075	0.332	0.126	0.179	0.450		
# 10	# 2	Min	0.060	0.340	0.142	0.194	0.475	9	56
		Max	0.075	0.385	0.147	0.205	0.550		

Flat Countersunk head with **NIBS**, Square, Wood Screw Coarse Thread, **Type-17**, Zinc & **WAX**

Root= Flat sockEt Nibs Coarse 17 Zinc

Bulk Label Description:

English: FLAT HEAD WITH NIBS, SQUARE, WOOD SCREW, COARSE THREAD, TYPE-17, ZINC & WAX

French: VIS À BOIS GROS FILET, TYPE-17, TÊTE PLATE AVEC NIBS, CARRÉ, ZINC & CIRE

Spanish: TORNILLO PARA MADERA, ROSCA GRUESA, TIPO 17, CABEZA PLANA AUTORROSCANTE, CUADRADO, ZINC Y ENCERADO

Date: 1 avril 2019

Done by: P.B.