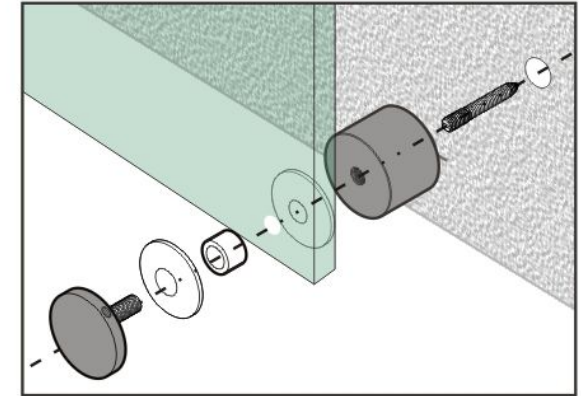
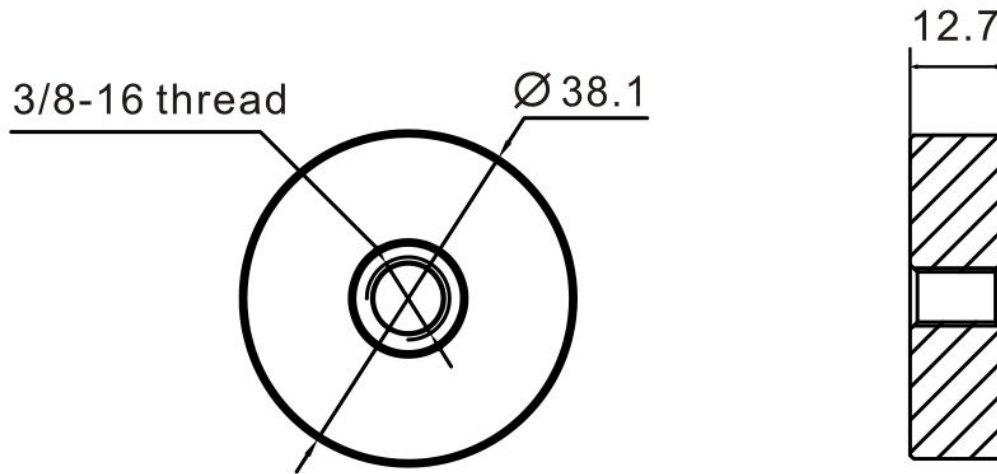


# 1-1/2" Standoff Base with 3/8-16 Thread

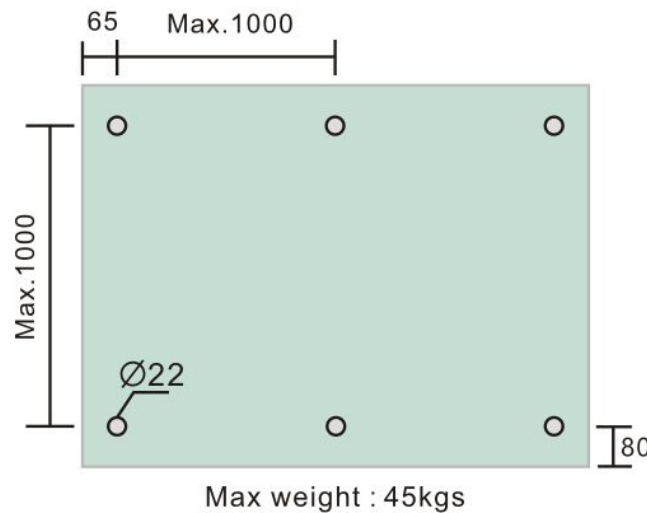
Code No.: SB150050XXX



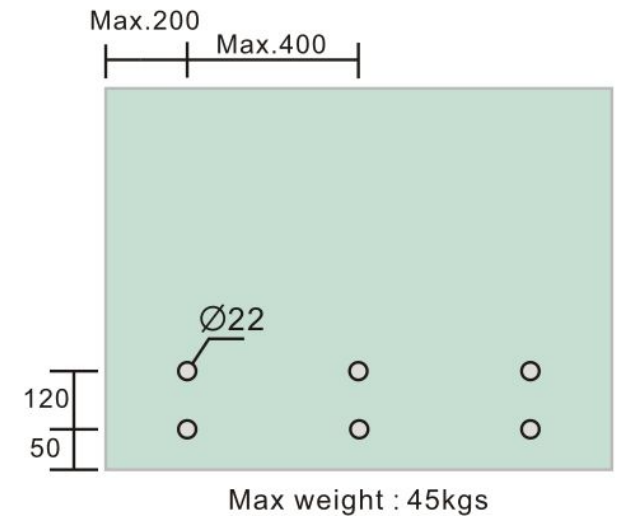
- \* Mounting hardware and standoff cap sold separately
- \* Stainless steel 316
- \* See online for available finishes

## Suggested Layout:

Option 1



Option 2



\* Actual weight capacity depends on mounting hardware and substrate material.