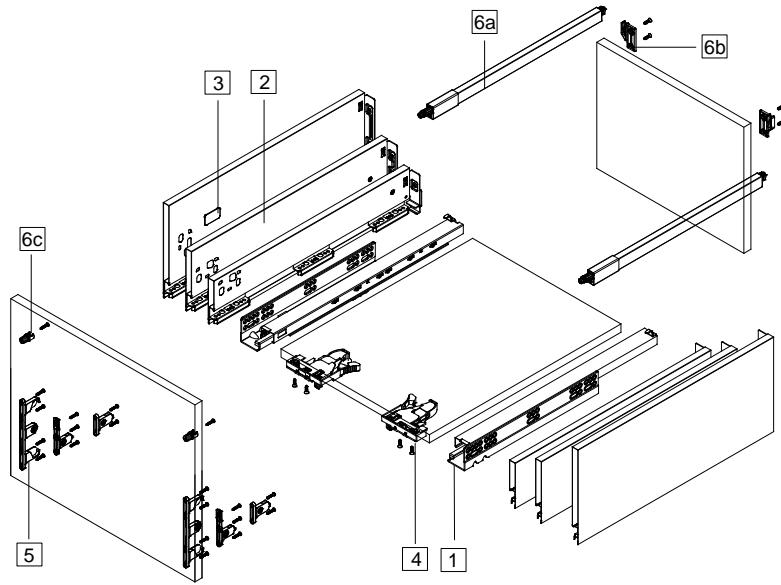


OPTIMIZ-R Gallery Rail

#808LG1 Series

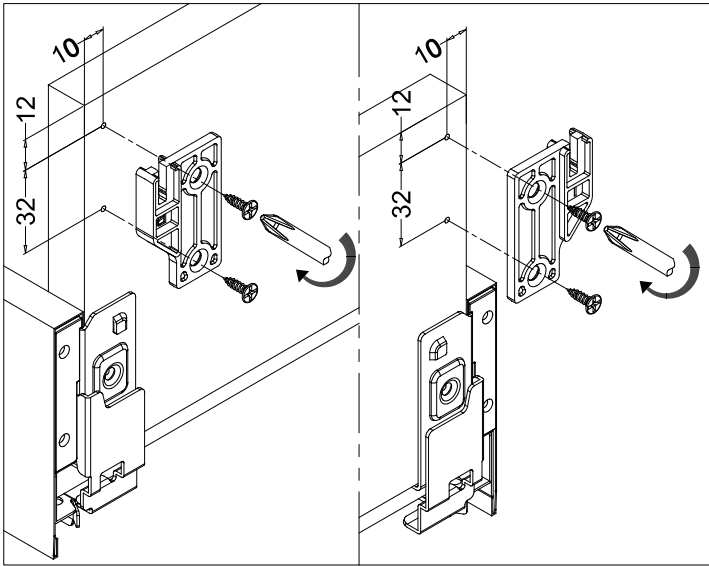


COMPONENTS:	
1.	Series 828 sync. slides
2.	OPTIMIZ-R drawer sides (89/121/185)
3.	Drawer side cover caps
4.	4-way locking devices
5.	Front brackets for OPTIMIZ-R (89/121/185)
6.	Gallery rails assembly, including:
6a.	Gallery rails
6b.	Rear brackets
6c.	Expanding dowels

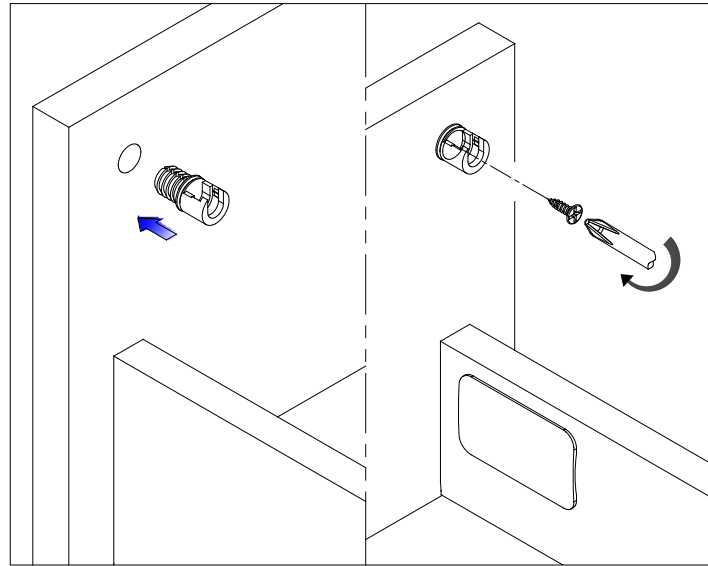
	Drawer Back Drilling (T: Drawer Back Top-up, Min. 50) (LW: inner cabinet width)	Drawer Installation (Drawer front drilling from edge: 14.5mm + Overlay)	Drawer Front Drilling
OPTIMIZ-R 89			
OPTIMIZ-R 121			
OPTIMIZ-R 185			

OPTIMIZ-R Gallery Rail

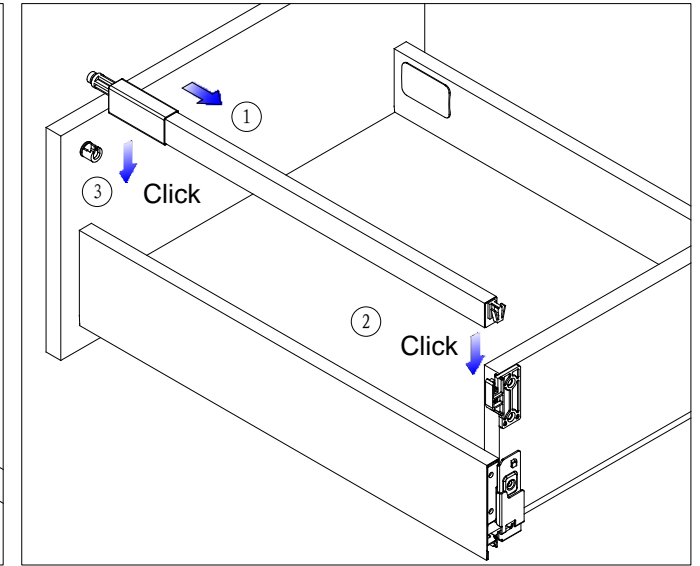
Assemble, adjust & disassemble



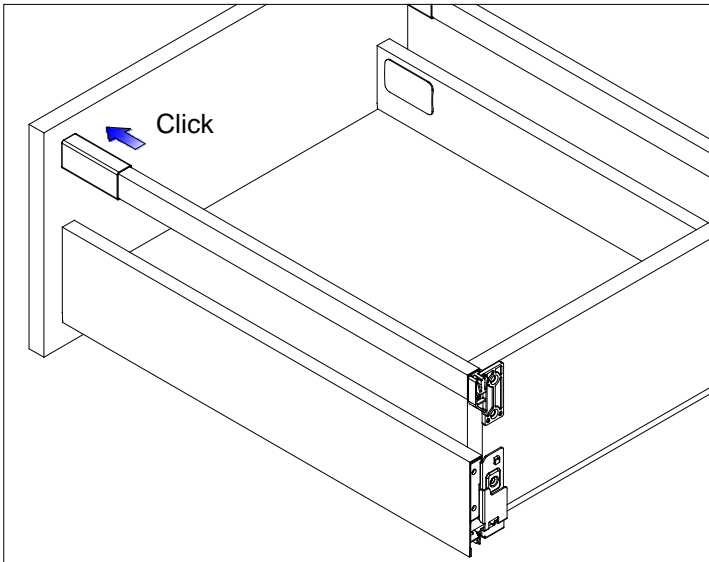
Fix rail rear brackets L/R



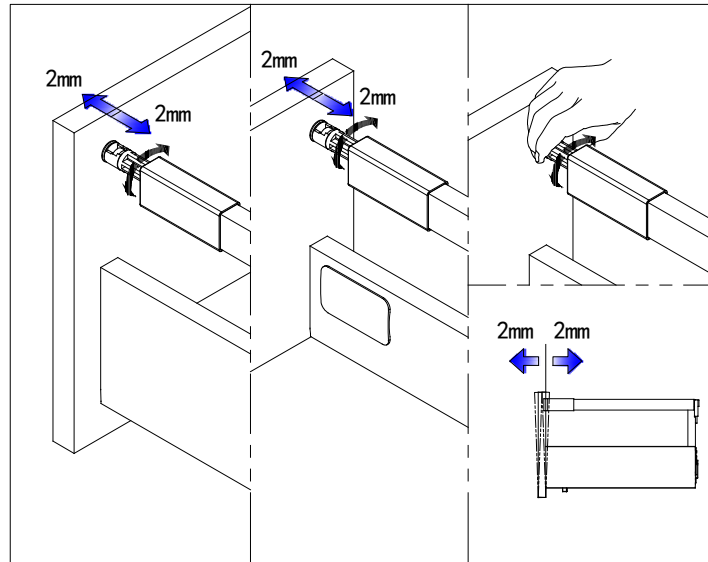
Fix dowels (MX)



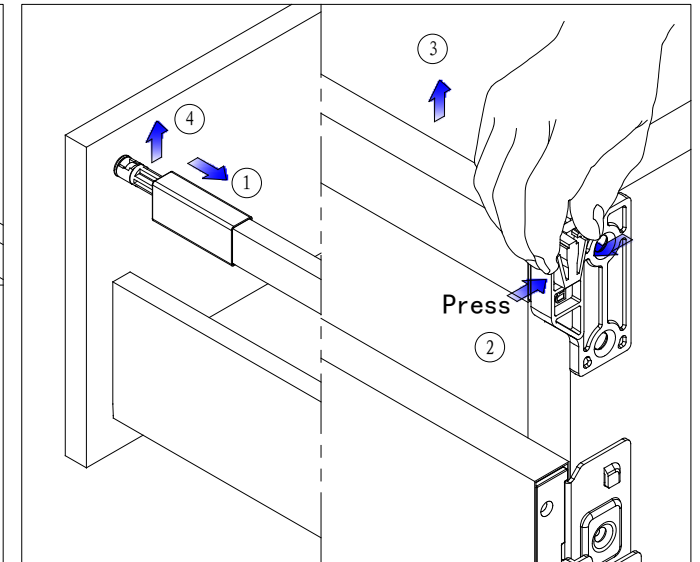
Click on rails L/R



Slide-on the cover, DONE!



Turn insert to adjust length of rail



Disassemble rails