

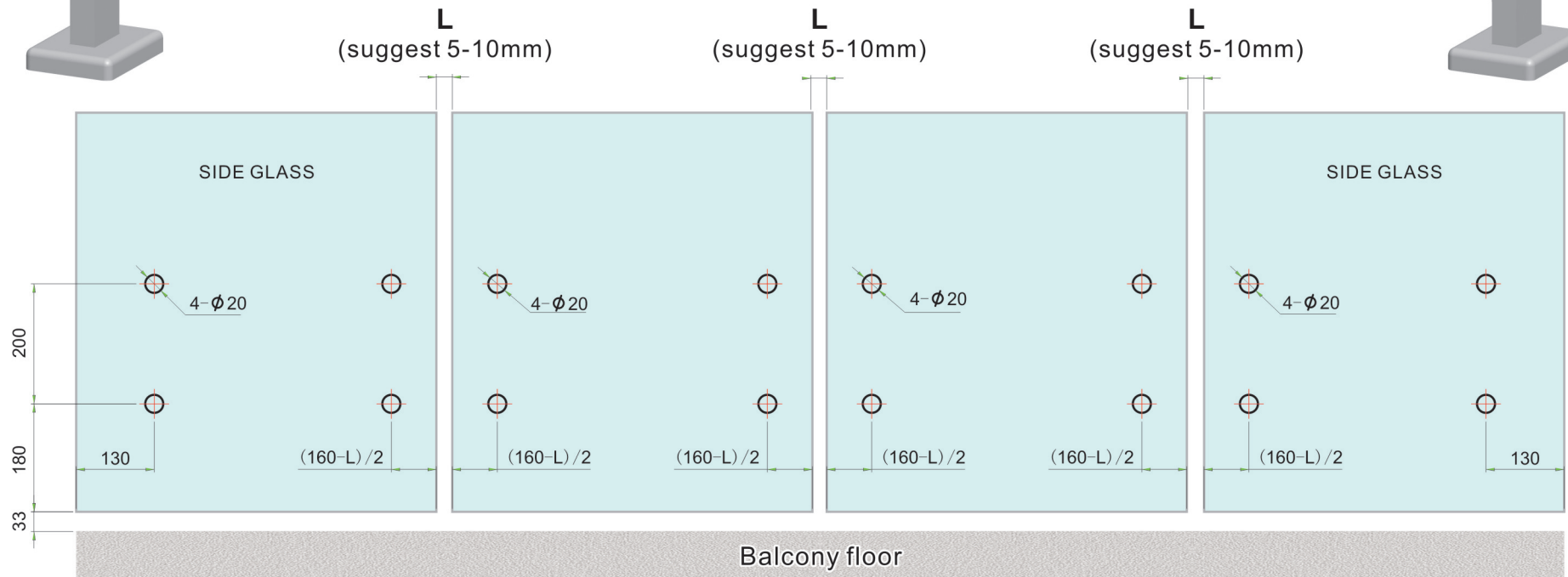
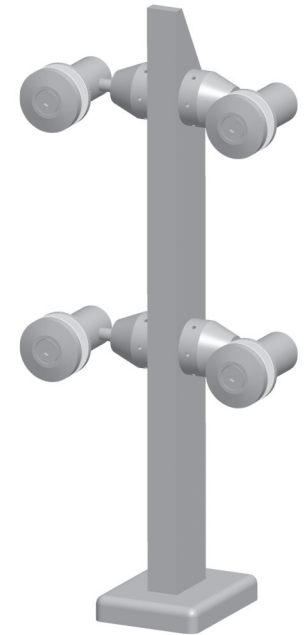


MINI POST WITH CORNER SWIVEL FITTING

Code No.: 706SP057316170

CENTRAL MINI POST WITH SWIVEL FITTING

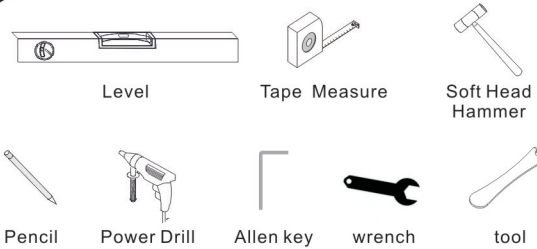
Code No.: 706SP058316170



Installation step:

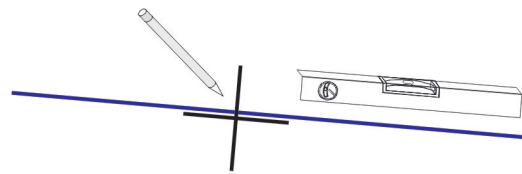
Tools

Tools required for the installation.



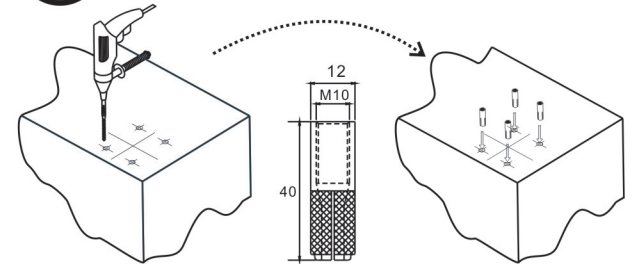
1

Using a level, mark a guide line across your floor where you intend to install your spigots.



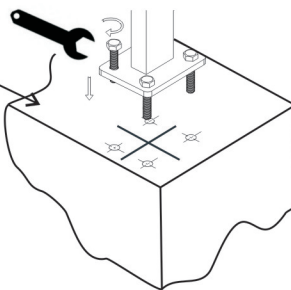
2

Drill each hole to a diameter of 12mm.. Insert an anchor bolt into each hole.



3

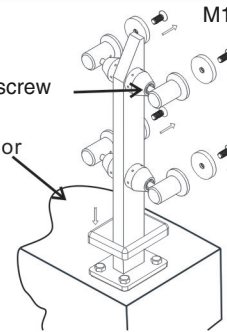
Balcony floor



Lift up the decorative cover, tighten the mounting screw.

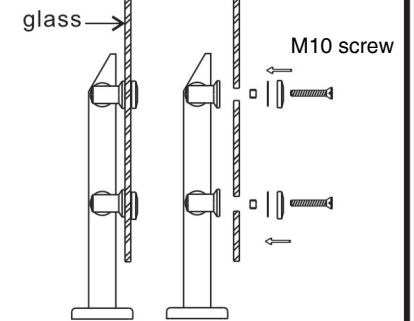
4

M4 adjustable screw
 Balcony floor



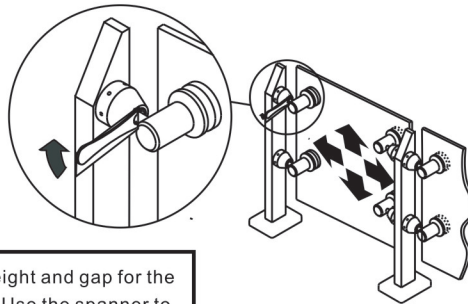
Put on the decorative cover, loosen the M10 screw to remove them. Loosen the adjustable screws a little to adjust the angle and height of the glass.

5



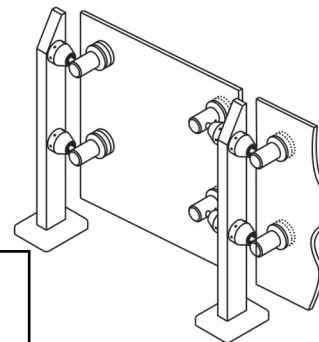
Install the glass

6



Adjust the height and gap for the whole glass. Use the spanner to fasten the screw.

7



Installation complete. Fasten the M4 set screws after assembly

8



These instructions are for installation on concrete.

Not recommended for treated wood.
Spigots may oxidize.