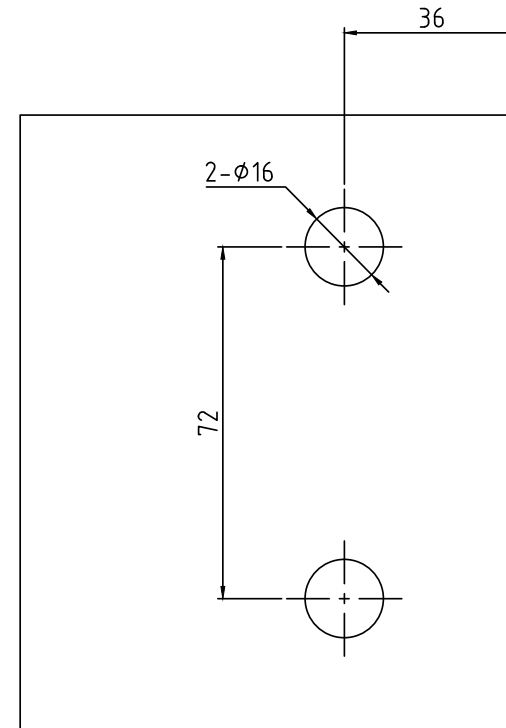
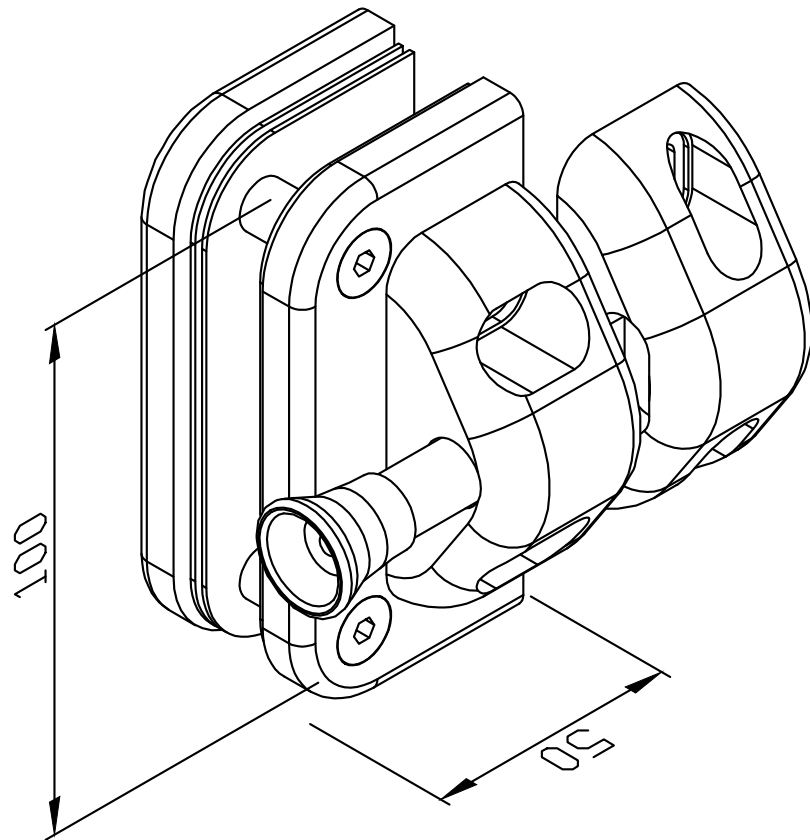



Glass Cut out;
For 12mm thick glass



Material	SUS316		
Finish:	SSS (satin)		
Weight:	820g		
Unit;	mm	Product;	Glass-to-wall Gate Latch
IT12 tolerance		Code no;	PGLWGE170