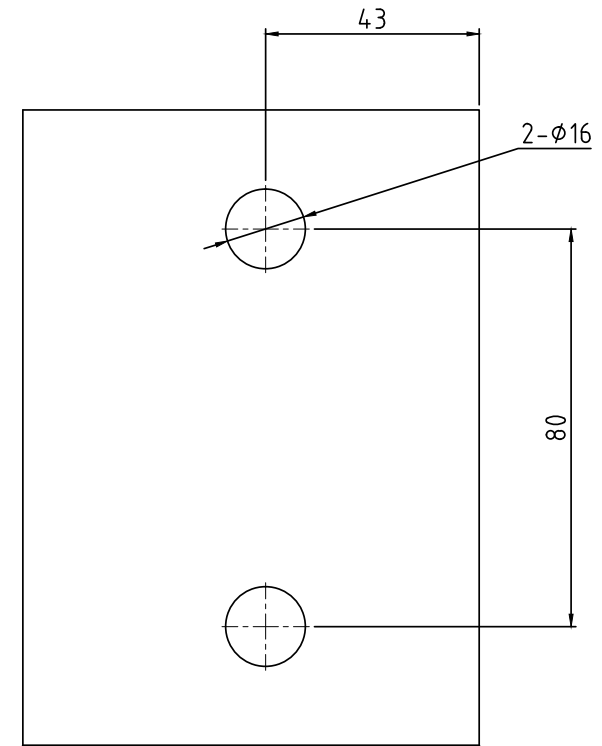
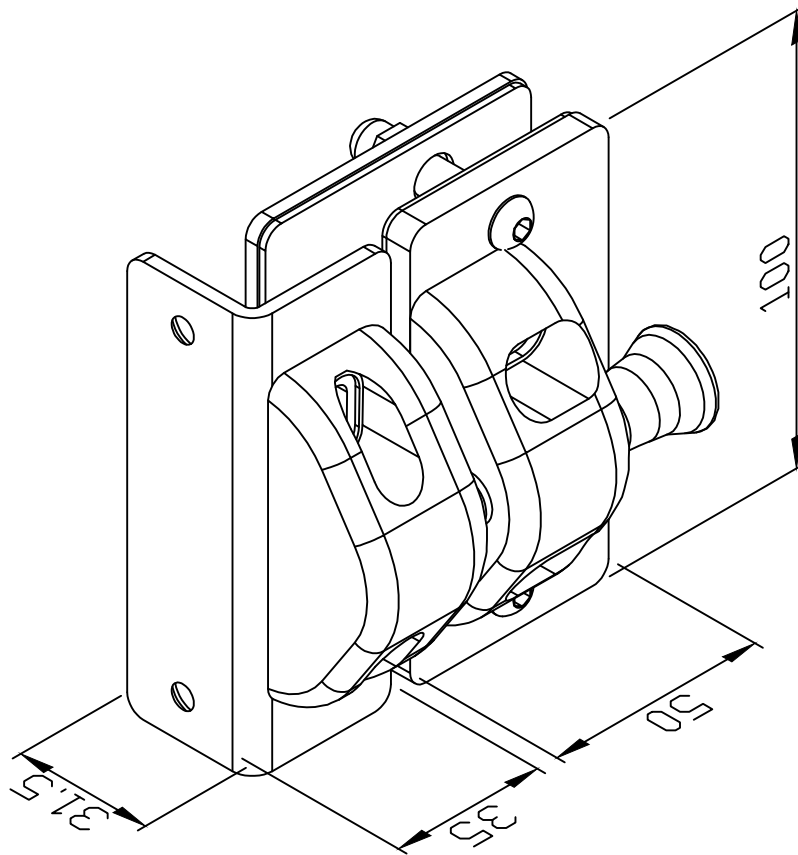



Glass Cut out;
For 12mm thick glass



Material	SUS316		
Finish;	SSS (satin)		
Weight;	706.5g		
Unit;	mm	Product;	Glass-to-wall/post gate latch
IT12 tolerance		Code no;	PGLSQPG090E170