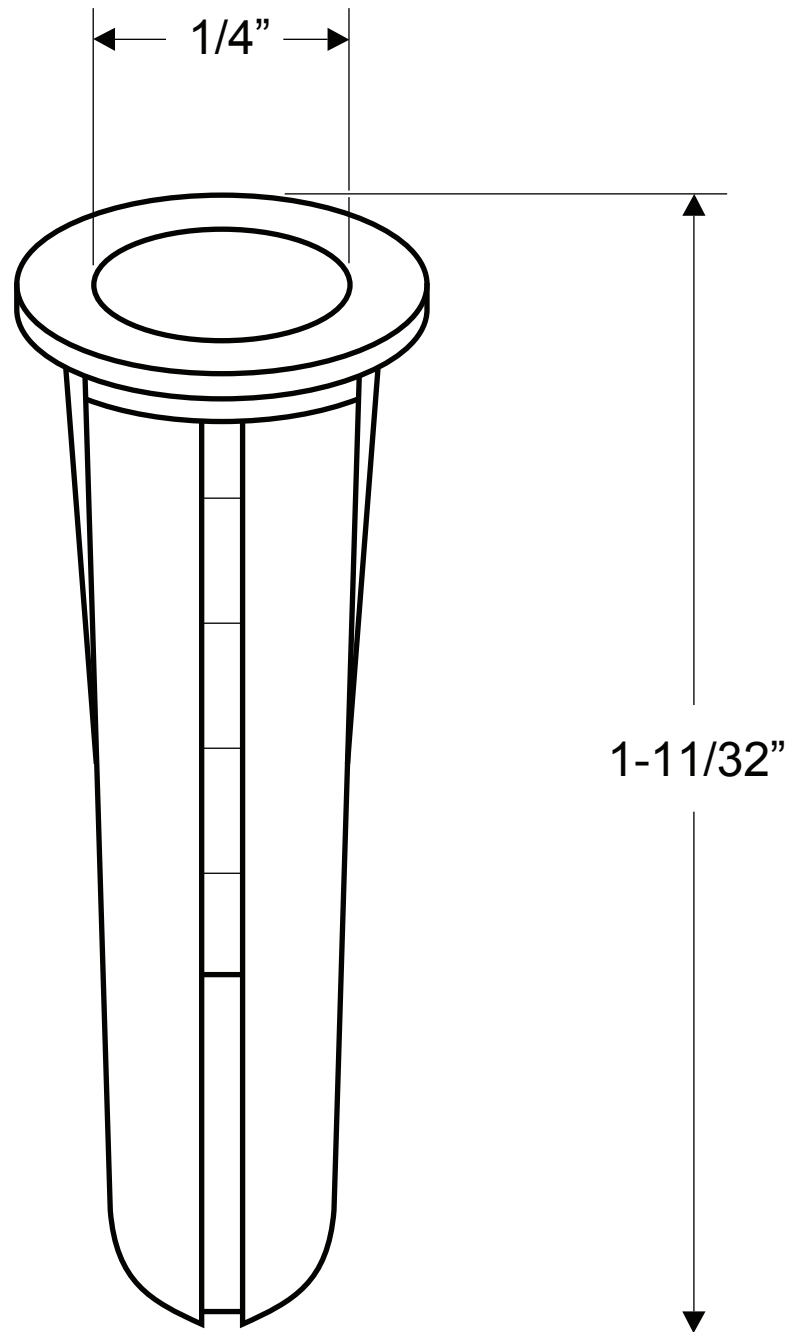


**9015
(PLASTIC ANCHOR)**



NOTE: FOR #14 - 16 SCREWS