

Wireless Adjustable Shelf Lighting System



- > System allows lighting to be easily integrated into adjustable and fixed shelving in closets and cabinetry without complicated cable management
- > The height of adjustable shelves can easily be changed without concern of wiring connections
- > Engineered for efficient manufacturing and installation

How it works

Bus bars

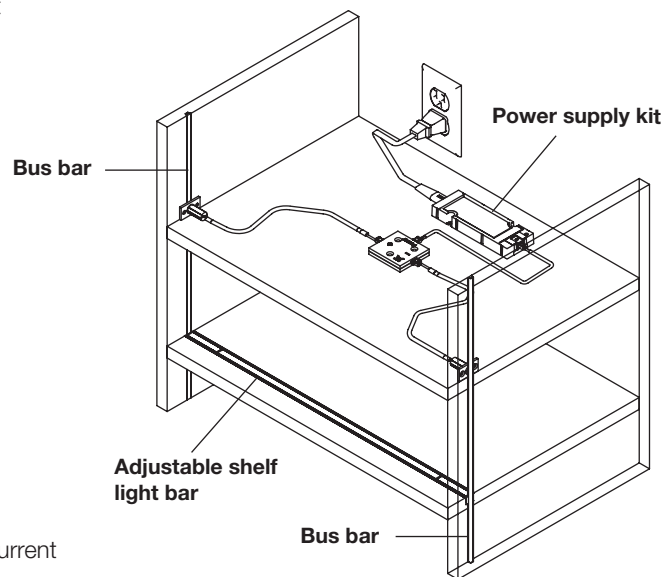
- > Specially designed brushed aluminum Bus bars are inserted into narrow vertical channels, on the side panels of each cabinet or closet section
- > Thin Bus bar design allows for two Bus bars to be applied back-to-back in a single panel
- > Optional drill bit made specifically for the Bus bar channel is available

Power supply kit

- > Connects to a Loox driver to deliver a low voltage current to the Bus bars
- > Easily installed either on the top or bottom of the cabinet

Adjustable shelf light bars

- > Built with spring loaded contact assembly transferring the current from the Bus bar to the light bar, which is routed into the underside of the shelf
- > Customers can order standard or custom length light bars
- > Custom length light bars ship within 10 days from when the order is received

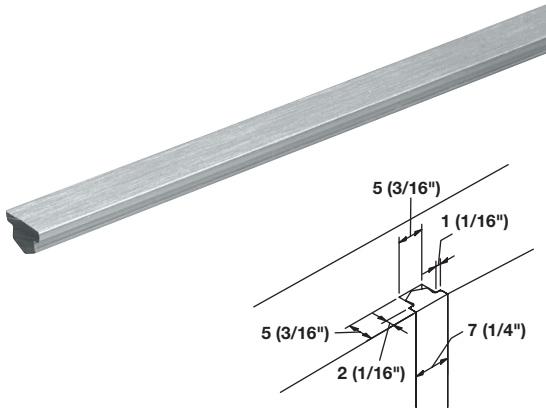


Inverted view

Wireless Adjustable Shelf Lighting System



Bus bars for adjustable shelf light system



- > Material/Color: Aluminum, brushed anodized
- > L x W x H: 2337 x 7 x 4.6 mm (92" x 9/32" x 3/16")
- > Supplied with: 20 pcs.

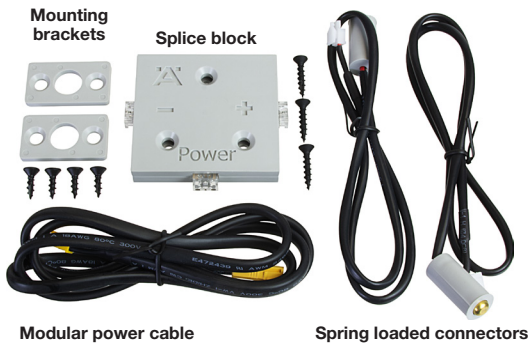
	Item No.
	833.74.996

! 2 Bus bars are needed for each adjustable shelf light bar.

+ Bus bar router bit

Description	Item No.
8 mm shank	001.25.920
1/4" shank	001.25.921

Power supply kit

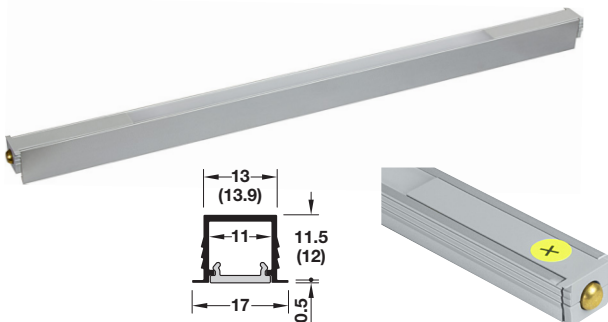


- > Supplied with: 1 splice block with clips
- 2 spring loaded contact connectors with 500 mm (19 11/16") cable and modular clips
- 2 mounting brackets
- 1 modular power cable, 1 m (39 3/8")
- Mounting screws

	Item No.
	833.88.986

! Please order drivers and controls separately.

Profile 1103 with spring-loaded contact connectors



- > Delivered ready to install into routed shelf channel
- > No cables or leads required
- > Light bars are UL Certified
- > CRI 90 lights are Title 24 compliant
- > Lifetime: 50,000 hrs

! For custom length light bars, please contact Häfele Service+ team: 888.437.7477 / email: projects@hafele.us

Voltage	LED family	Light intensity	Wattage W/m	Color temp. (Kelvin)	Light bar length			
					18"	24"	30"	36"
12 V	LED 2065	Medium	4.8	3000K	833.88.978	833.88.979	833.88.980	833.88.981
				4000K	833.88.982	833.88.983	833.88.984	833.88.985
12 V	LED 2068	High	9.6	3000K	833.88.970	833.88.971	833.88.972	833.88.973
				4000K	833.88.974	833.88.975	833.88.976	833.88.977
Supplied with	1 light bar							

Dimensional data not binding. Dimensions in mm, inches are approximate. We reserve the right to alter specifications without notice.

