



5-10 Min.

Tools



NOTE:
See page 5 for a full list of applicable products.

Box Contents

Short Height Base Organizer x1

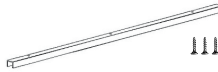
With pre-installed door mount brackets (x4) and Blum locking devices (x2).



Slide Kit x1



Aluminum Track (x1) with #6x1/2" (3x) installation screws



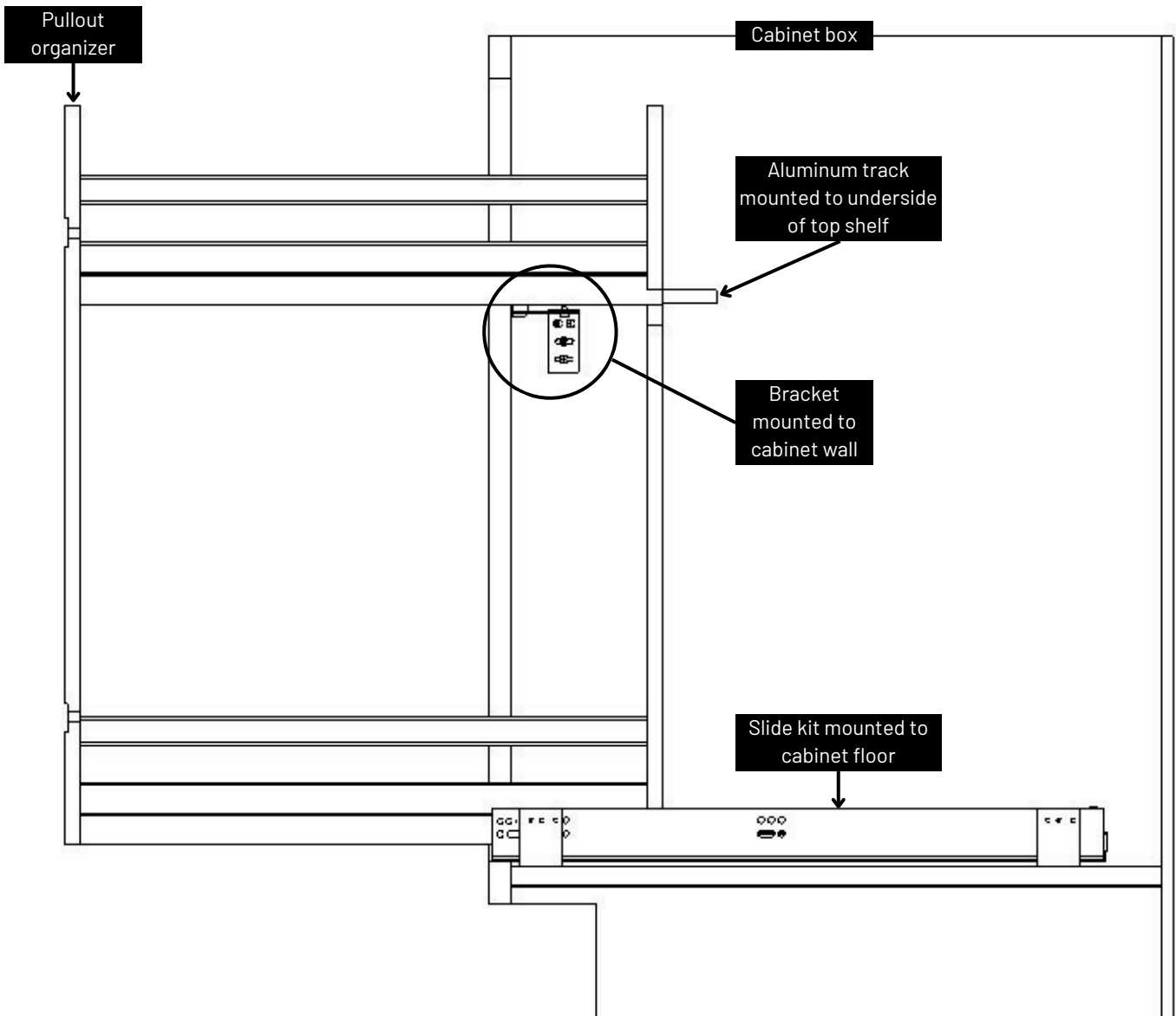
Tilt Screws x4



Double Stick Squares x4



Bracket with Bushing (1x) with #8x1/2 (4x) installation screws

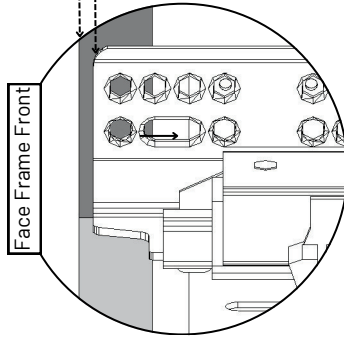
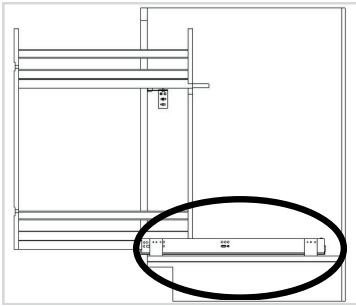
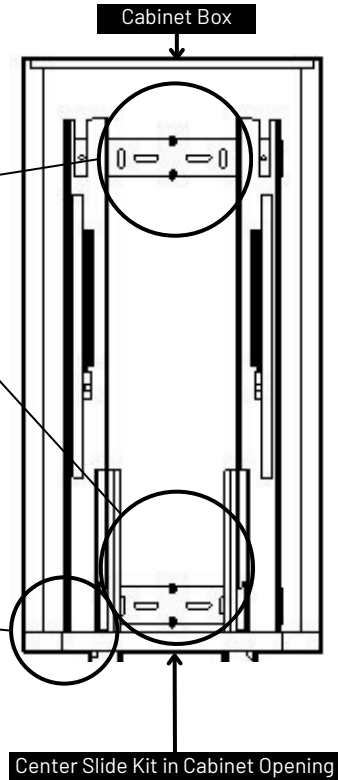
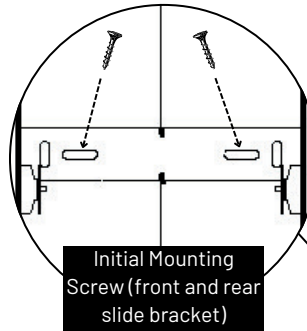


1 Install slide kit to cabinet floor (centered in cabinet opening) using four #8 washer head screws (not provided).

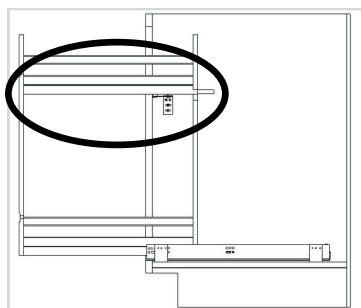
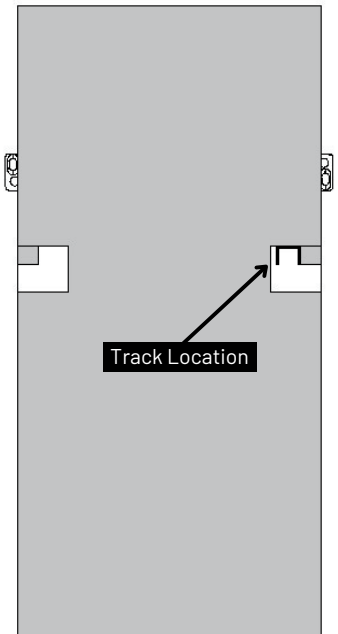
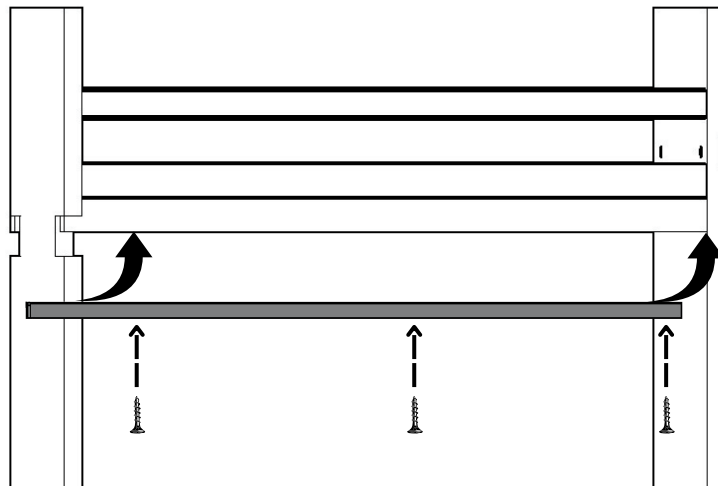
Slide depth placement:

- Over lay doors: 1/8" back from front of face (pictured below)
- Inset doors: 1/8" back from back of door when closed

1/8" Set Back



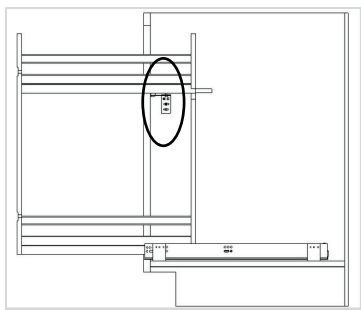
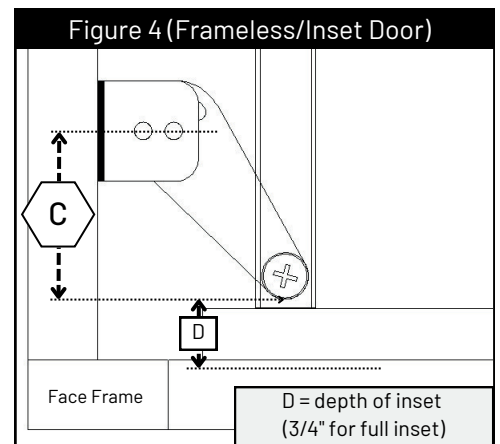
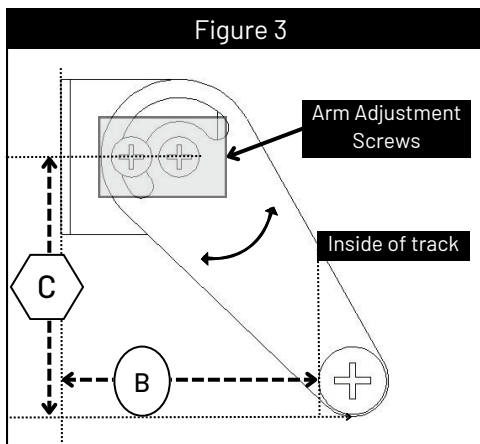
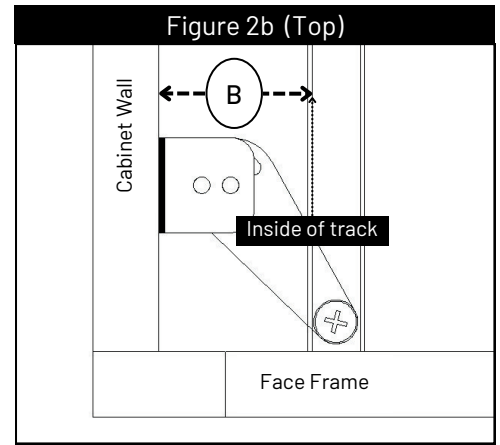
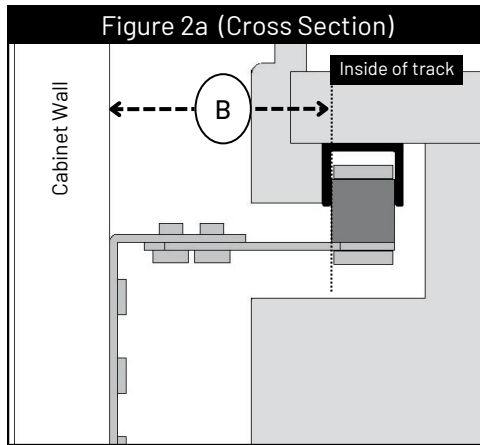
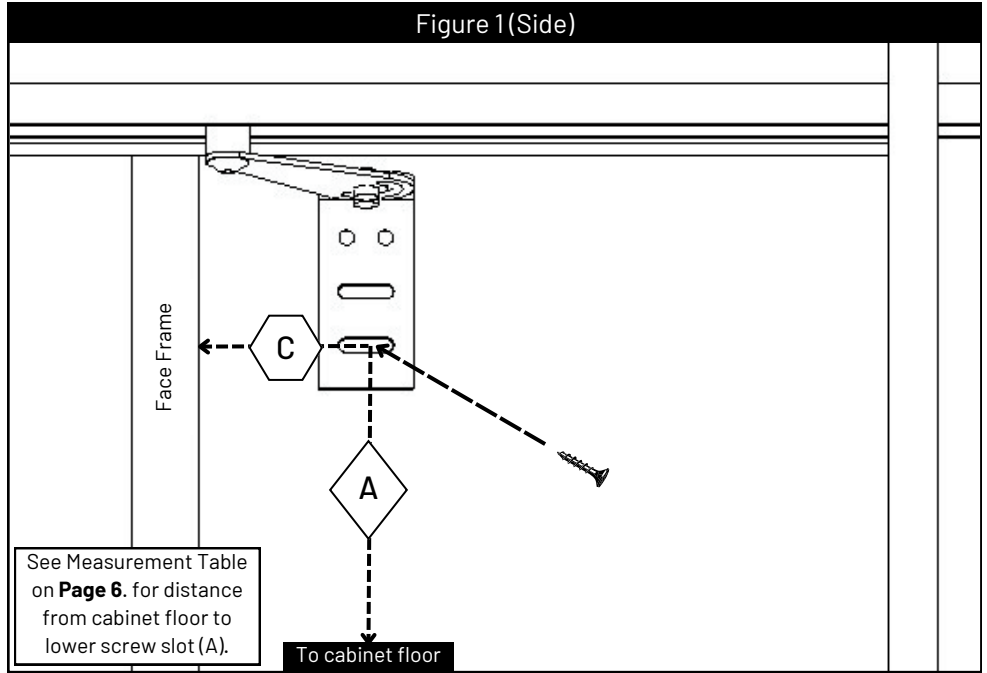
2 Attach aluminum track to the bottom left side of upper shelf using provided #6 x 1/2 screws (fits left (default) or right). Track should be firmly against the front panel of the unit.
Note: The aluminum track will extend beyond the back of the unit by design.



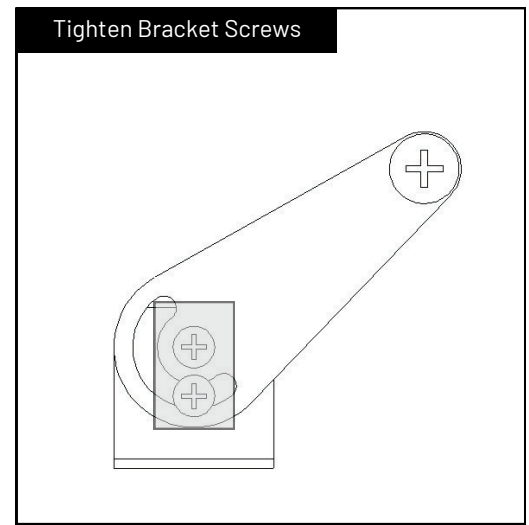
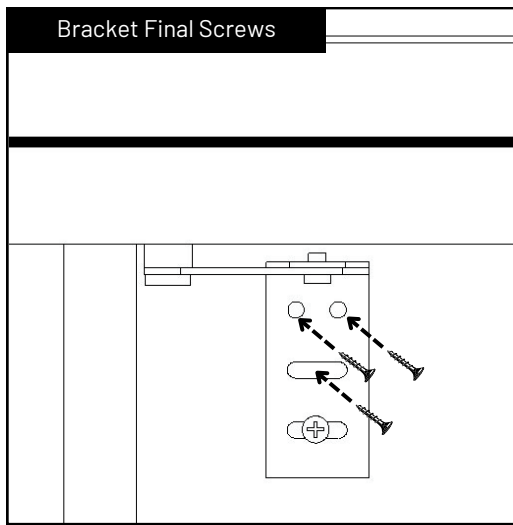
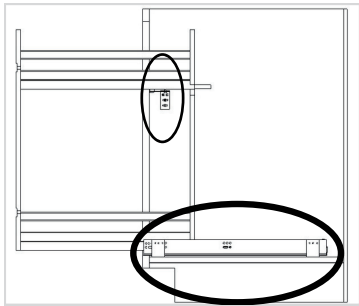
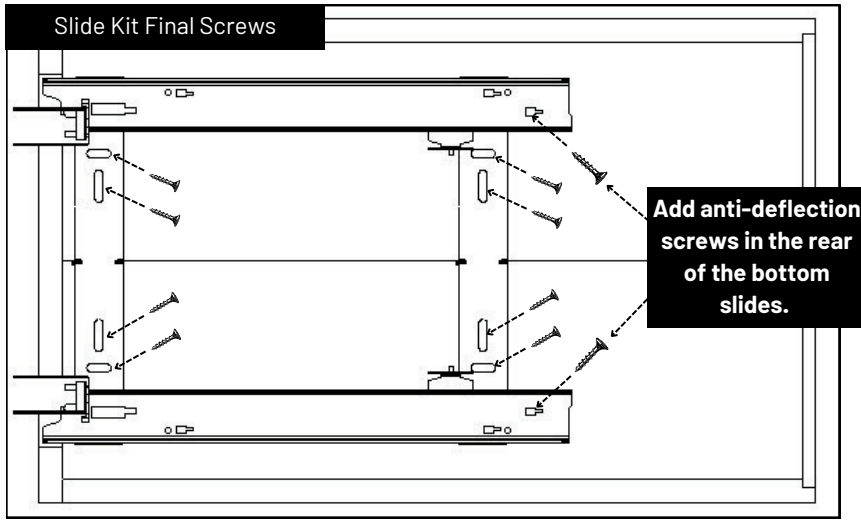
3

Mount bracket to the cabinet wall using provided #8x1/2" screws. Use the measurements shown below for placement.

1	Place unit in opening on the slide kit.	
2	Find measurement B (Figure 2a and 2b).	
3	Set the arm to match measurement B (Figure 3)	
4a	Framed: Find measurement C (Figure 3)	
4b	Frameless/Inset: add C and D (see figure 4).	
5	Use the measurement table on page 5 to determine measurement A for the unit being installed.	
6	Fasten the bracket on cabinet wall using measurement A (step 5) and C (step 4)(Figure 1).	

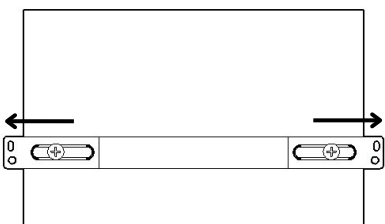


- 4** Make final adjustments and place set screws.
Note: Swing the arm in/out for left-to-right adjustments to the top of the unit.

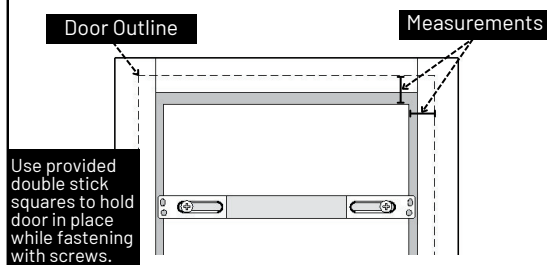


Door Mounting Instructions

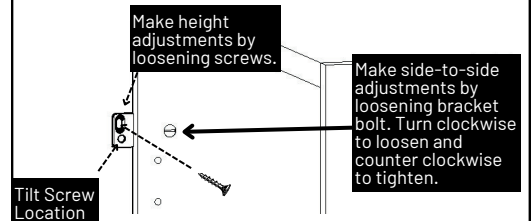
- 1** Extend upper and lower door mount brackets.



- 2** Determine proper door placement.



- 3** Fasten door to the unit. Screws not provided. Use tilt screws (provided) as needed.

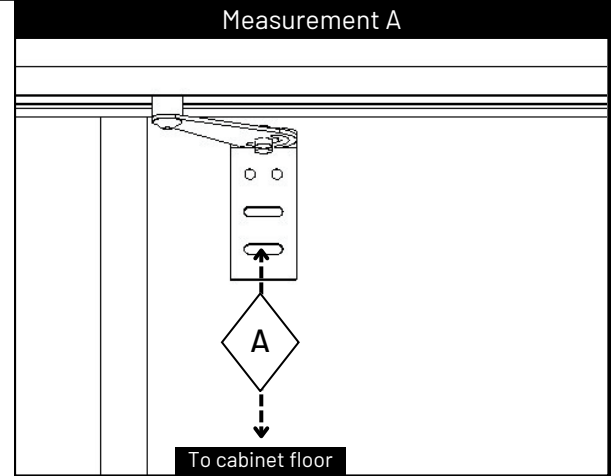


Measurement Table

Find the product number and the corresponding measurement for.



Product #	Measurement A
CASB0110-N	17.5
CASB0115PF	18
CASB0140-N	17.5
CASB080-N	17.5
CASB080N-18	17.5
CASB085PF	18
CASCAN110-KBI-N	15.5
CASCAN115PF	16
CASCAN80-KBI-N	15.5
CASCAN80-N	15.5
CASCAN85PF	16
CASC0100PF	17
CASC080-N	16.5
CASC085PF	17
CASGO-EL80N-18	13.5
CASOV100PF	14
CASOV70PF	14
CASOV80PF	13.5
CASSHB100PF	11.5
CASSHB70PF	11.5
CASSHB80PF	11.5
SIGB0100PF	18
SIGB0100PF-18	18
SIGB0115PF	18
SIGB0130PF	18
SIGB070PF	18
SIGB085PF	18
SIGB085PF-18	18
SIGCAN100PF	16
SIGCAN100PF-KBI	16
SIGCAN115PF	16



Cont.

Product #	Measurement A
SIGCAN115PF-KBI	16
SIGCAN130PF	16
SIGCAN130PF-KBI	16
SIGCAN70PF	16
SIGCAN70PF-KBI	16
SIGCAN85PF	16
SIGCAN85PF-KBI	16
SIGC0100PF	17
SIGC085PF	17
SIGG0100PF-18	14
SIGG085PF-18	14
SIGG0-EL100PF-18	14
SIGG0-EL85PF-18	14
SIGOV100PF	14
SIGOV70PF	14
SIGOV80PF	13.5
SIGSHB100PF	11.5
SIGSHB70PF	11.5
SIGSHB80PF	11.5
WCCB085PF	18
WCCCAN85PF	16
WCCCAN85PF-KBI	16