

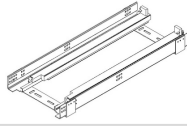
Box Contents

Base Organizer x1

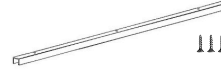
With pre-installed door mount brackets (x4) and Blum locking devices (x2).



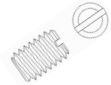
Slide Kit x1



Aluminum Track x1 with #6x1/2 installation screws x3



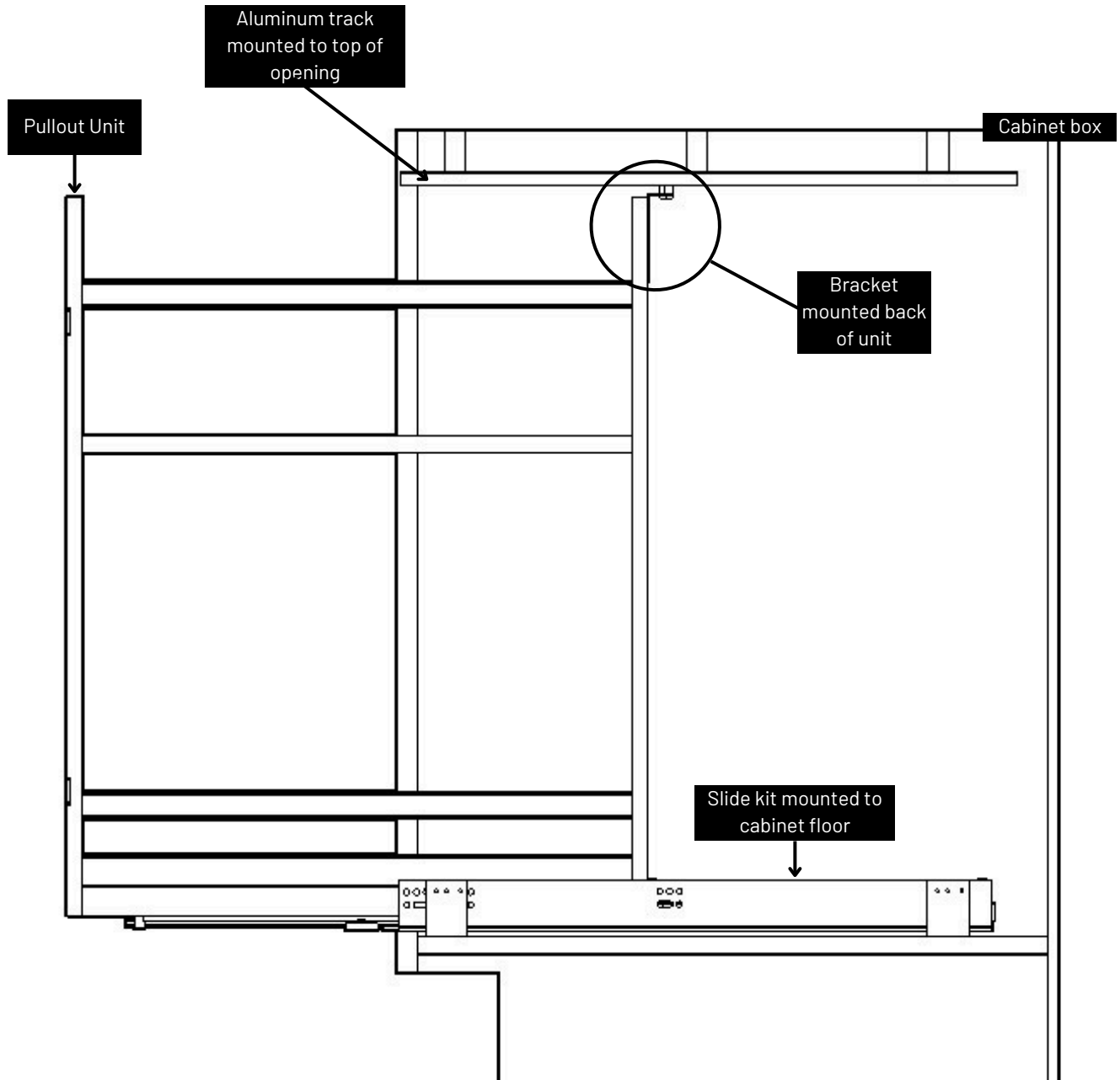
Tilt Screws x4



Double Stick Squares x4



Bracket with Bushing 1x with #8x1/2 installation screws x4

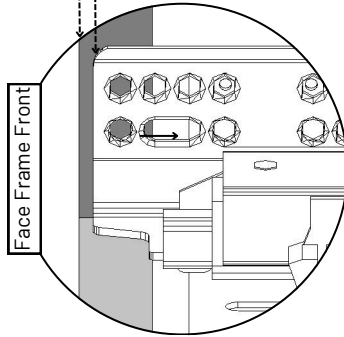
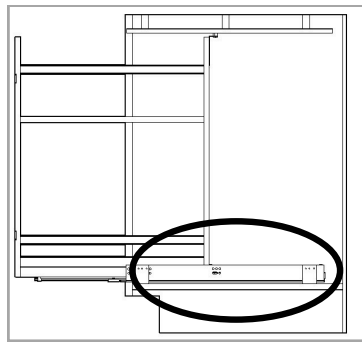
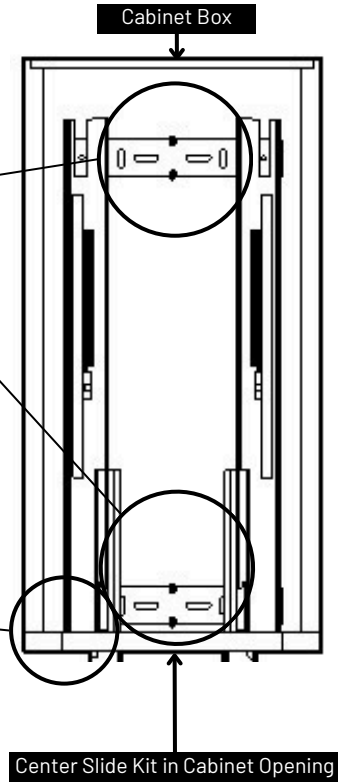
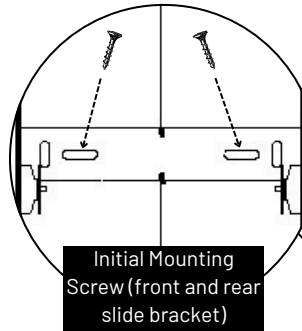


1 Install slide kit to cabinet floor (centered in cabinet opening) using four #8 washer head screws (not provided).

Slide depth placement:

- Over lay doors: 1/8" back from front of face (pictured below)
- Inset doors: 1/8" back from back of door when closed

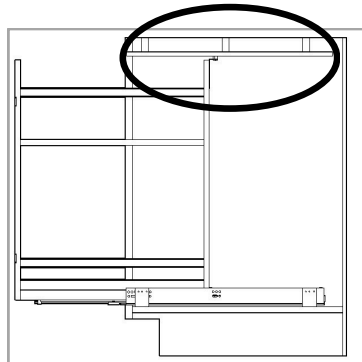
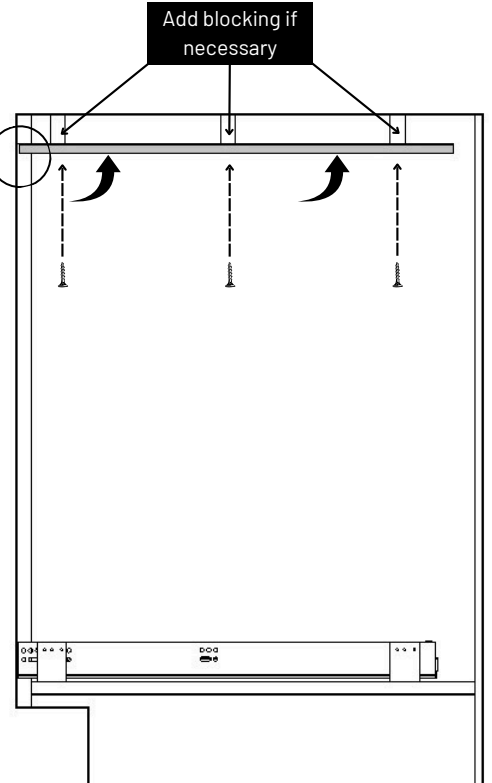
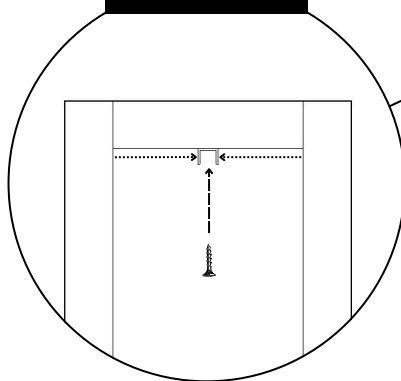
1/8" Set Back



2 Install aluminum track in the top of the cabinet box (centered left-to-right) using the provided 3-#6x1/2 wood screws. Note: Blocking may need to be added based on cabinet construction.

Center track in opening

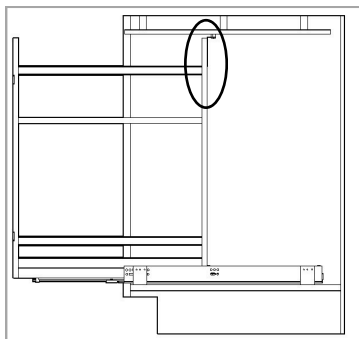
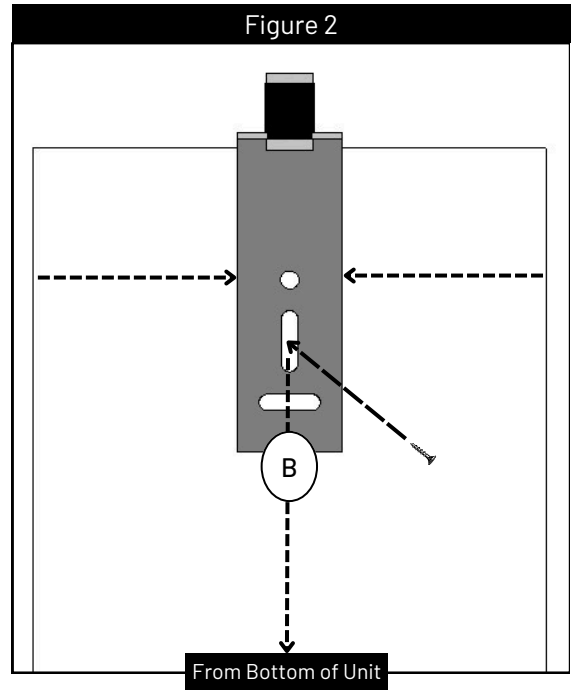
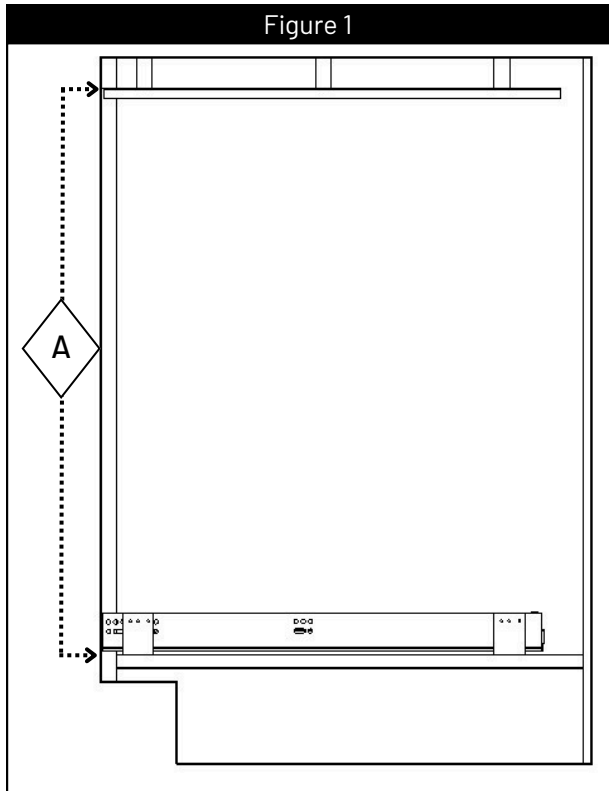
Add blocking if necessary



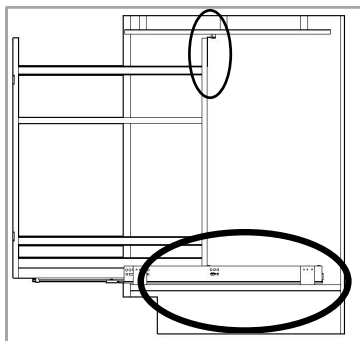
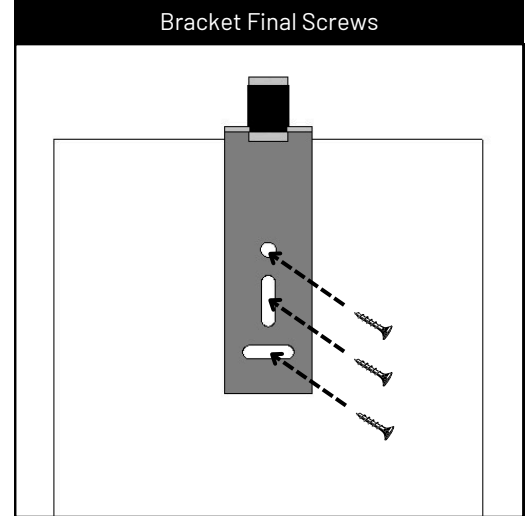
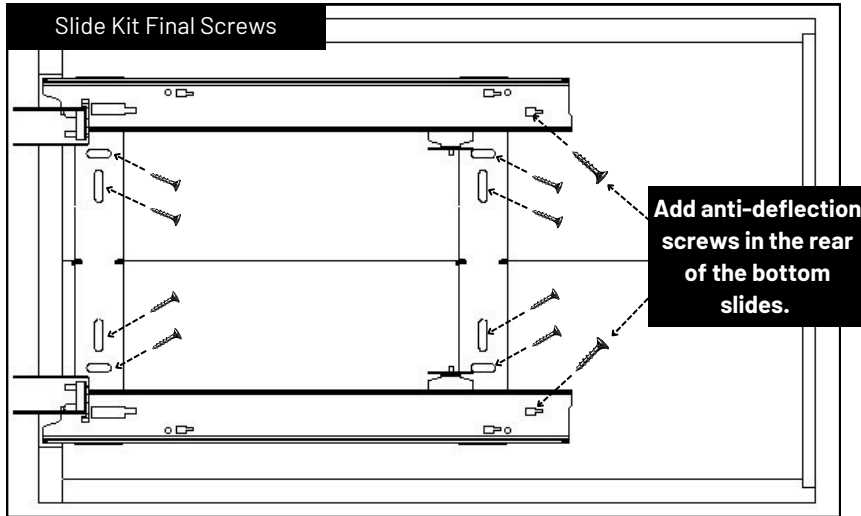
- 3** Mount bracket to back panel of unit using provided #8x1/2 washer head screws.
Add final screws once adjustments have been made.

Steps:

1. Find measurement A. Measure from cabinet floor to top of opening (Figure 1).
2. Find measurement B by subtracting 3-9/16" from A.
3. Mark B from the bottom of the unit for screw location centered in the vertical slot. (Figure 2).

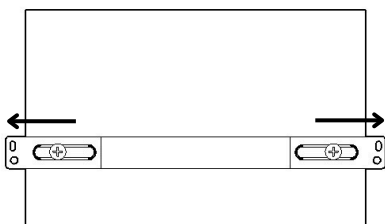


4 Make final adjustments and place set screws.

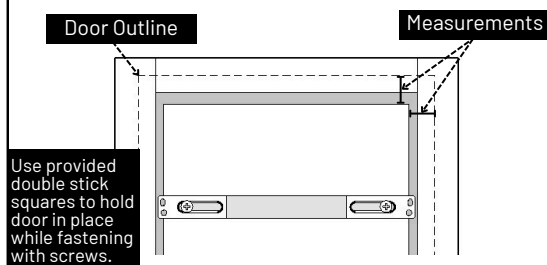


Door Mounting Instructions

1 Extend upper and lower door mount brackets.



2 Determine proper door placement.



3 Fasten door to the unit. Screws not provided. Use tilt screws (provided) as needed.

