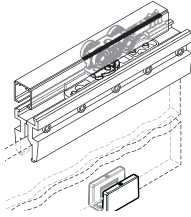




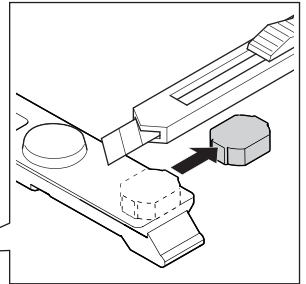
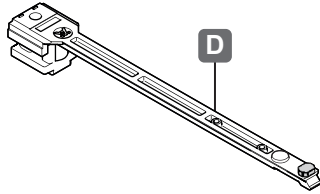
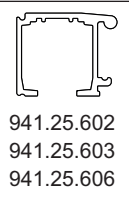
## Slido D-Line11

|            |            |            |
|------------|------------|------------|
| 940.44.030 | 940.83.034 | 941.25.014 |
| 940.44.031 | 940.83.035 | 941.25.015 |
| 940.44.032 | 940.83.036 | 941.25.016 |
| 940.44.033 | 940.83.037 | 941.25.017 |



|      | A          | B1         | B2         | E          |
|------|------------|------------|------------|------------|
| 50L  | 940.44.030 | 940.44.031 | 940.44.032 | 940.44.033 |
| 80L  | 940.83.034 | 940.83.035 | 940.83.036 | 940.83.037 |
| 120L | 941.25.014 | 941.25.015 | 941.25.016 | 941.25.017 |

**i**



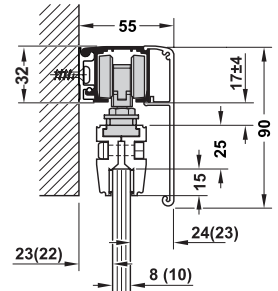
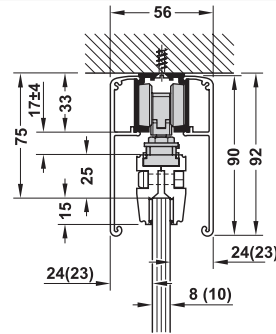
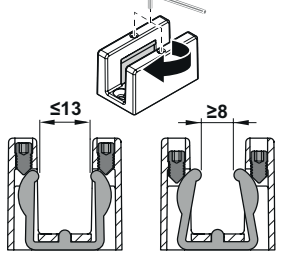
732.29.842

**i**

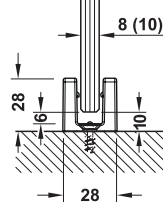
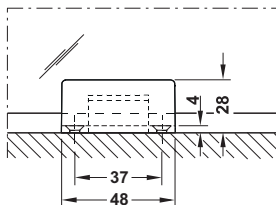
..mm

**i**

SW 3

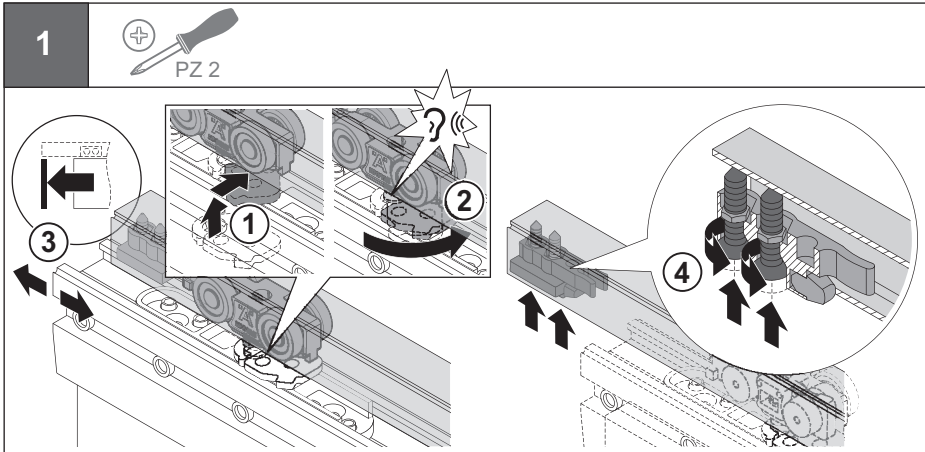
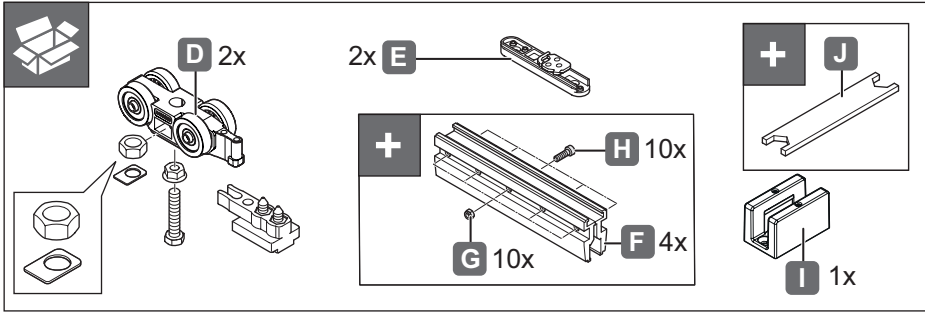
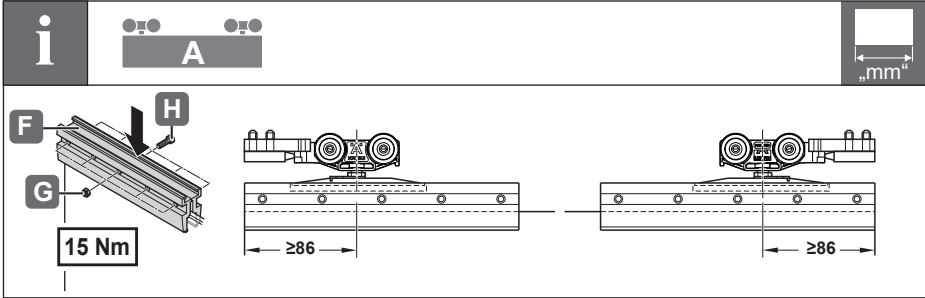
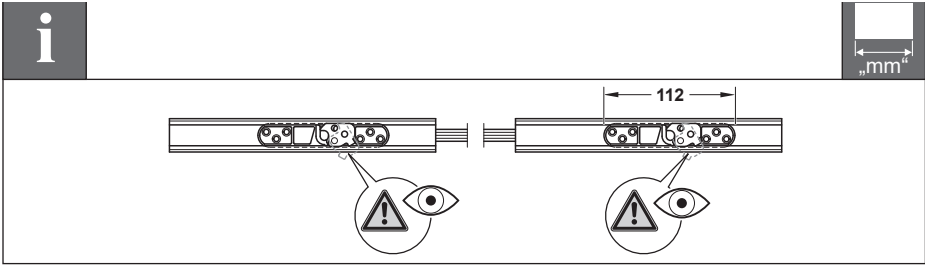


H1 = H - 10 - 32 - 17 - 25



[WS131]

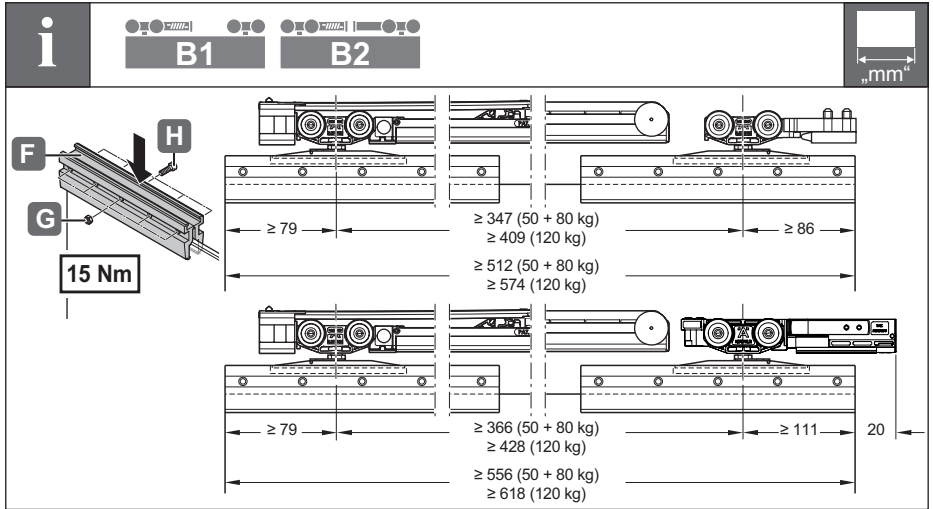
HDE 06.06.2024



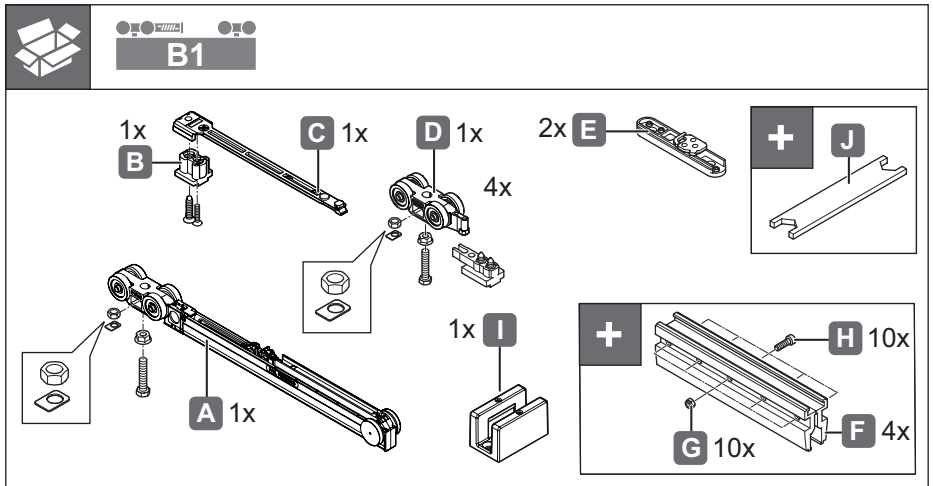
732.29.842

[WS131]

HDE 06.06.2024

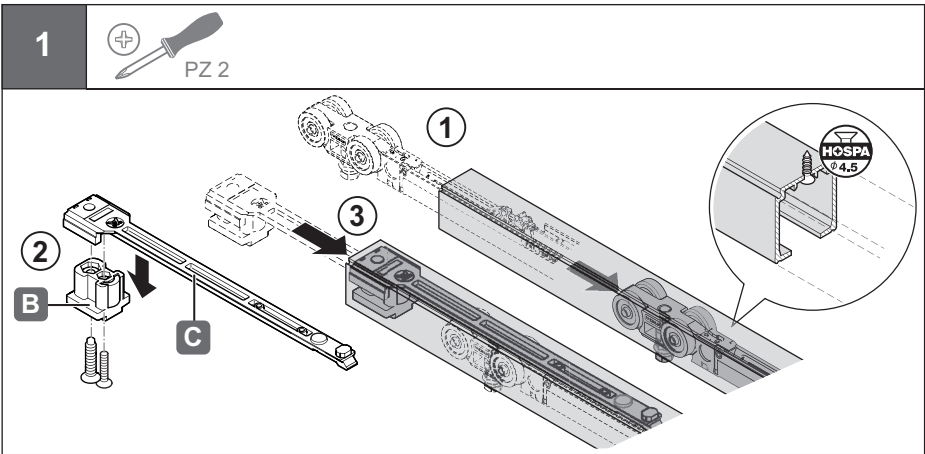
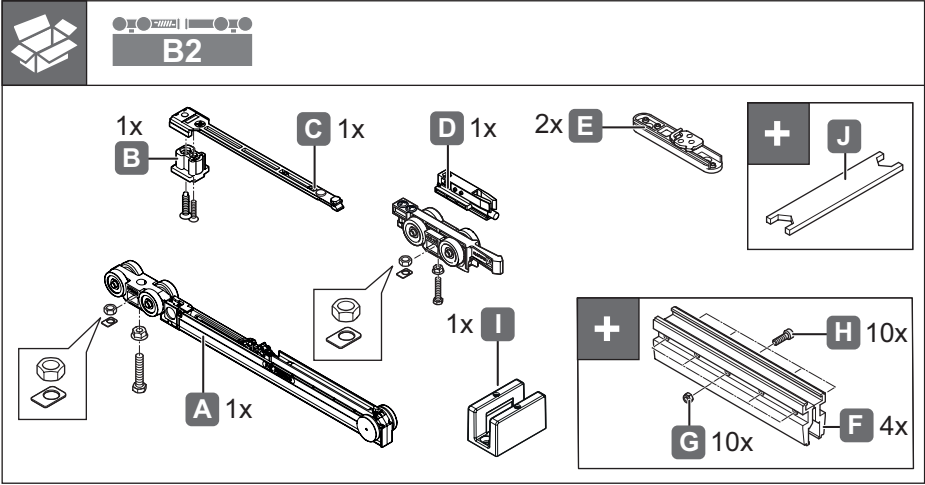


732.29.842



[WS131]

HDE 06.06.2024



732.29.842

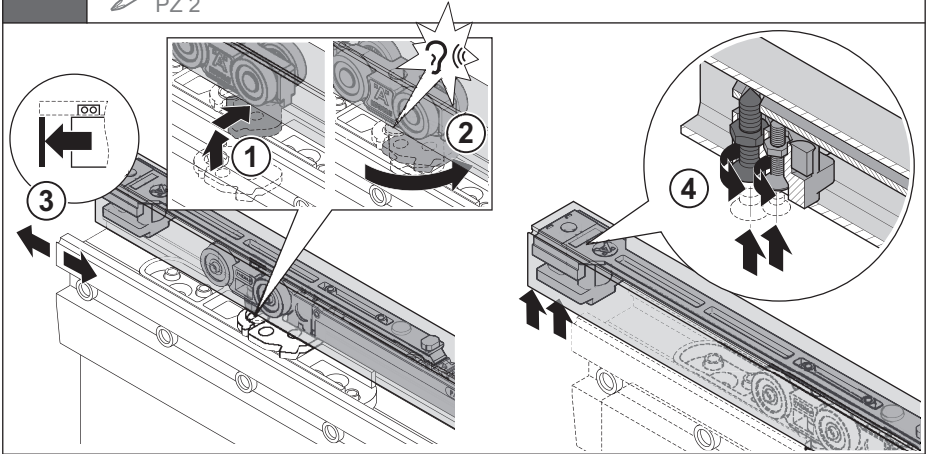
[WS131]

HDE 06.06.2024

2

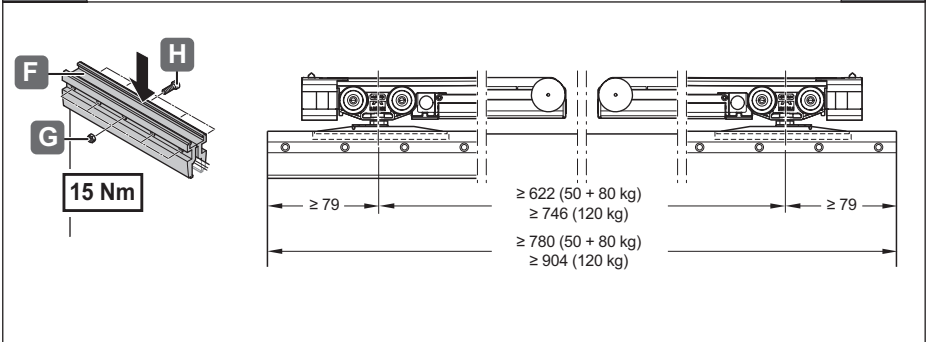


PZ 2



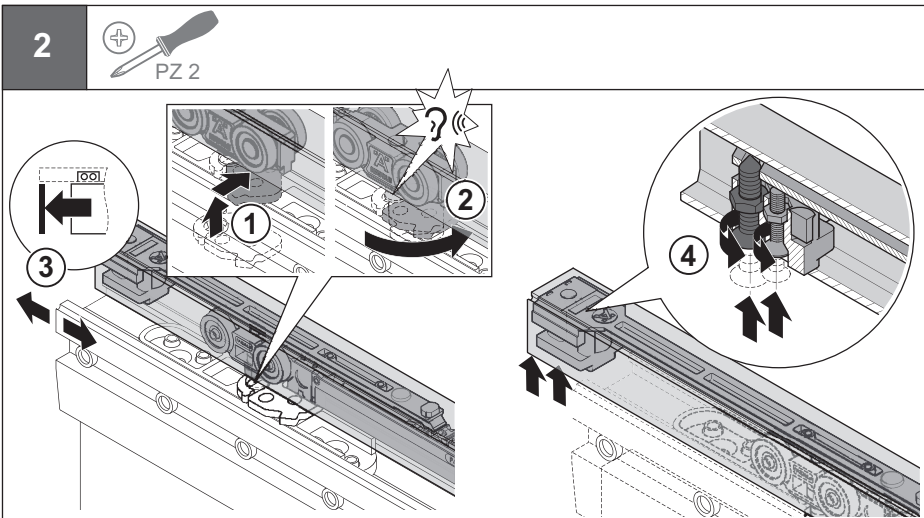
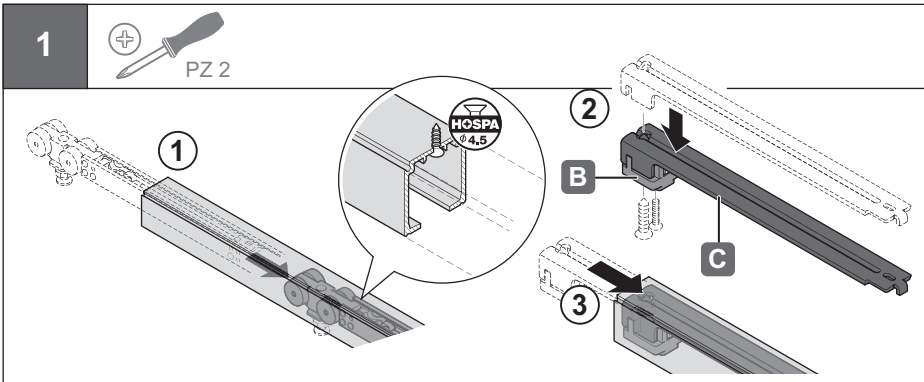
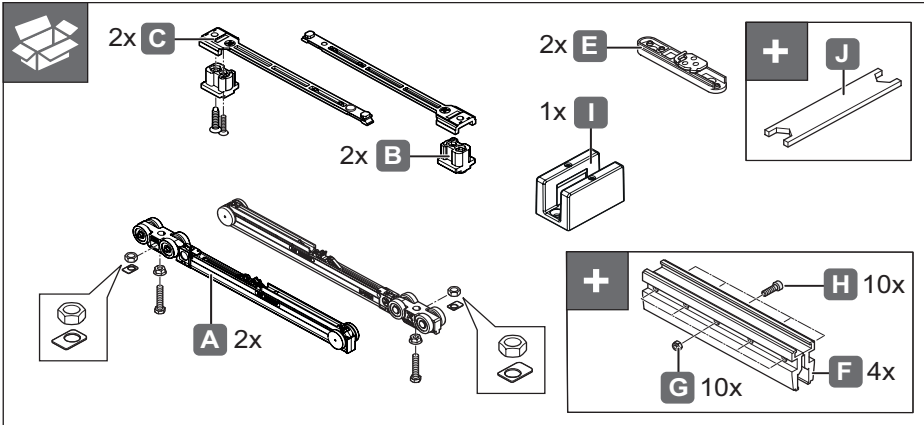
732.29.842

i



[WS131]

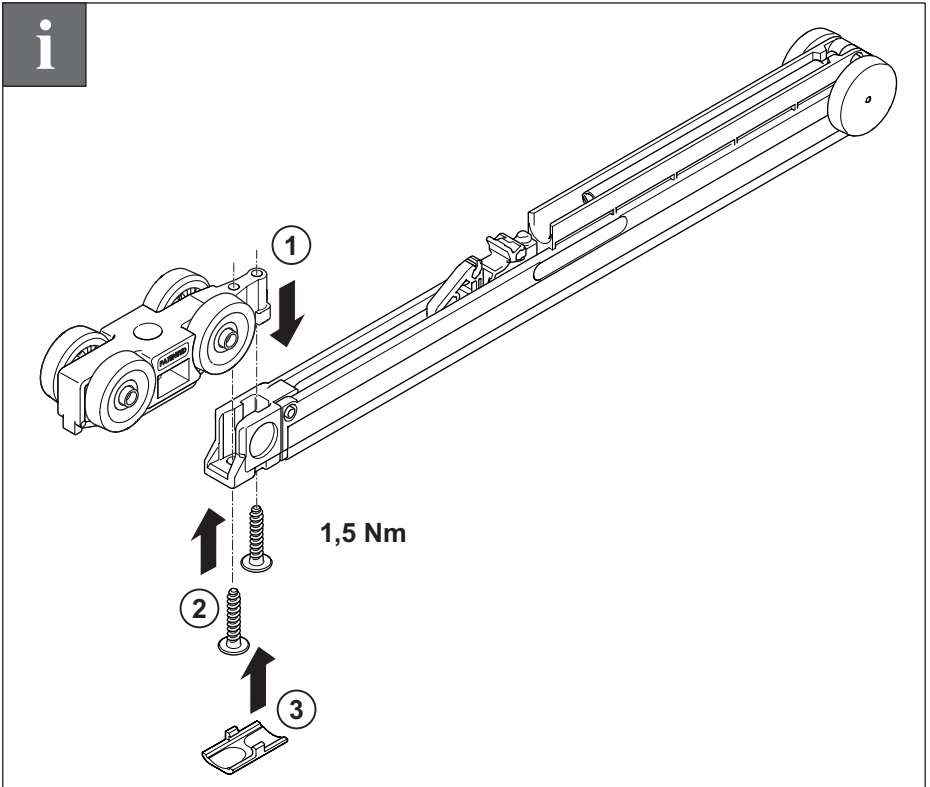
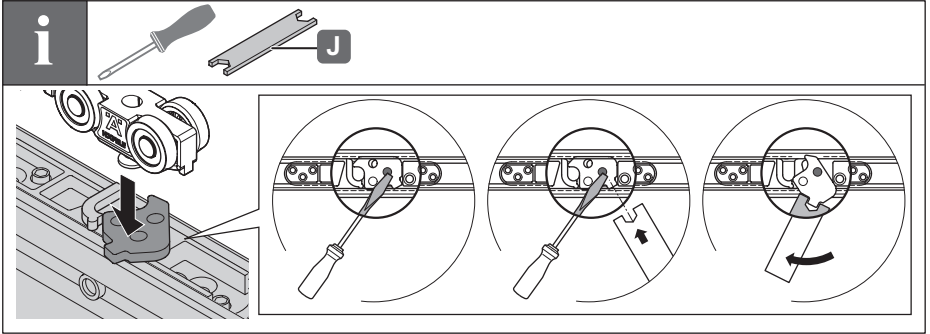
HDE 06.06.2024



732.29.842

[WS131]

HDE 06.06.2024



732.29.842

[WS131]

HDE 06.06.2024

732.29.842

[WS131]

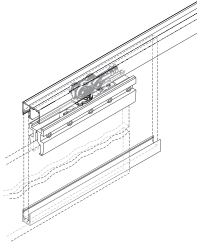
HDE 06.06.2024





## Slido D-Line11 50L / 80L / 120L

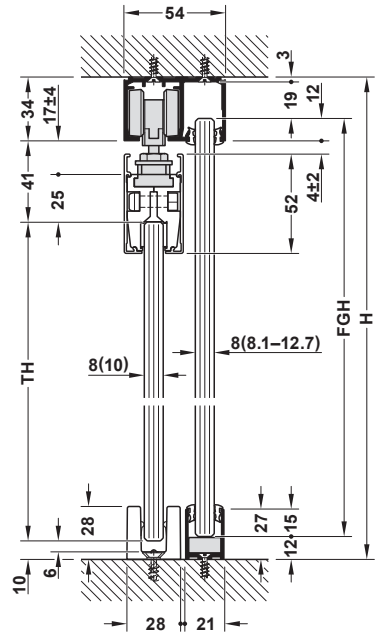
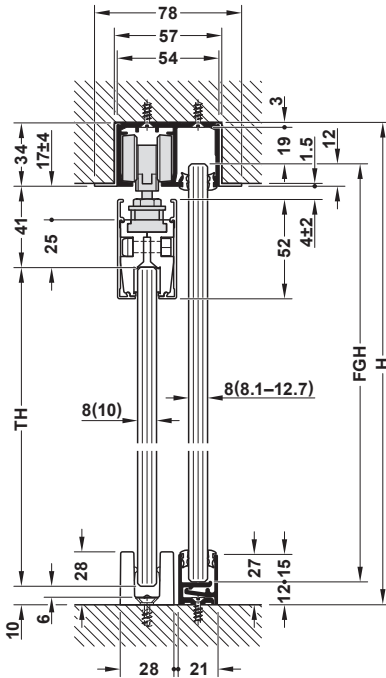
|            |            |
|------------|------------|
| 940.43.621 | 940.43.624 |
| 940.43.622 | 940.43.625 |
| 940.43.623 | 940.43.626 |



i

„mm“

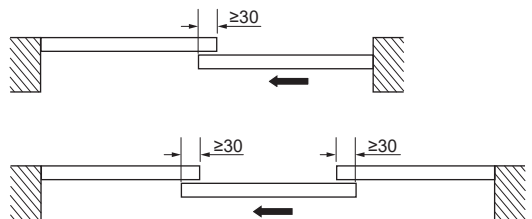
732.29.842



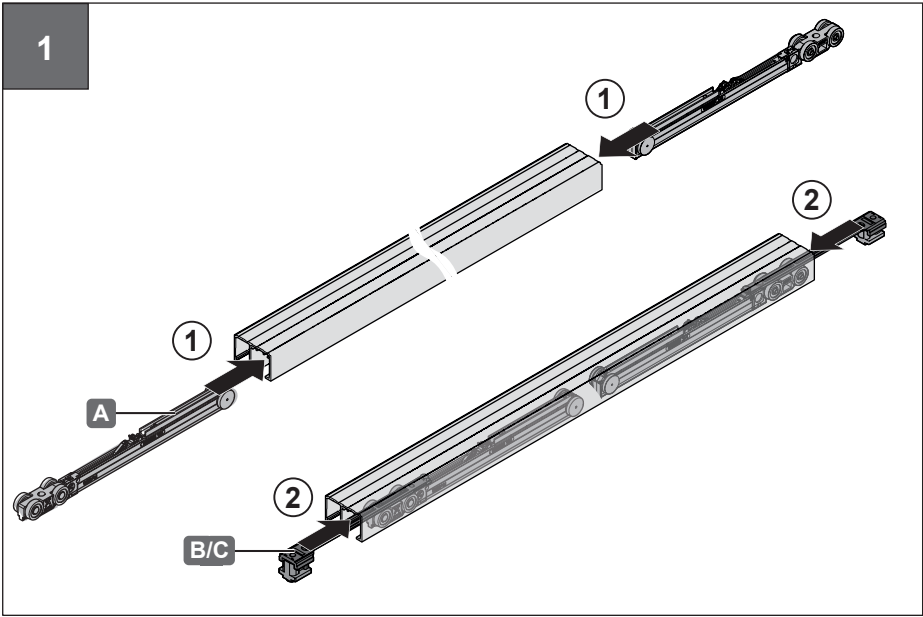
[WS131]

$$TH = H - 10 - 34 - 17 - 25$$

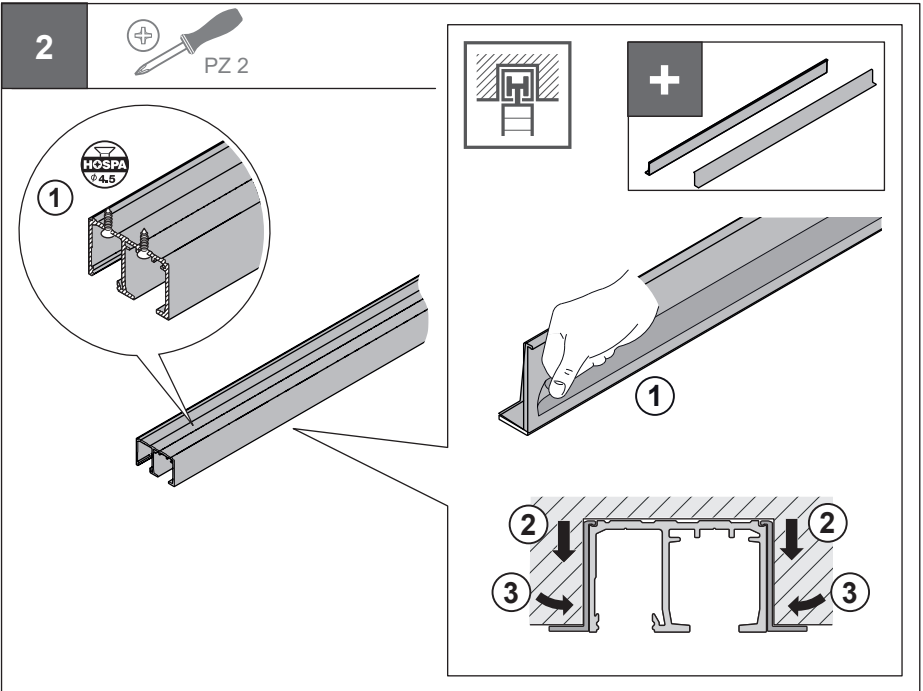
$$FGH = H - 12 - 19 - 3$$



HDE 06.06.2024



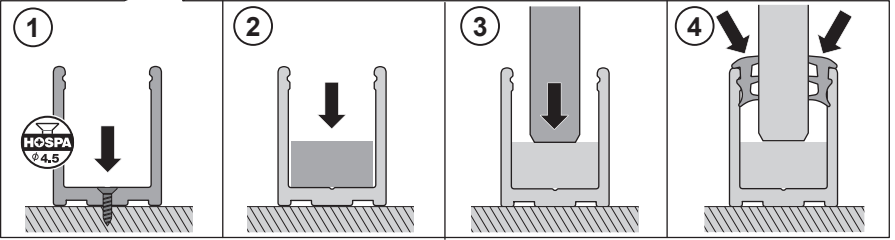
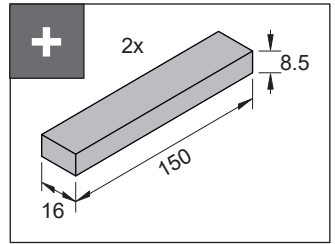
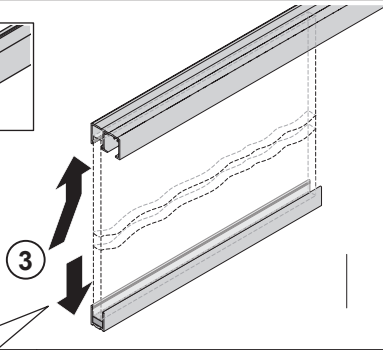
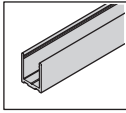
732.29.842



[WS131]

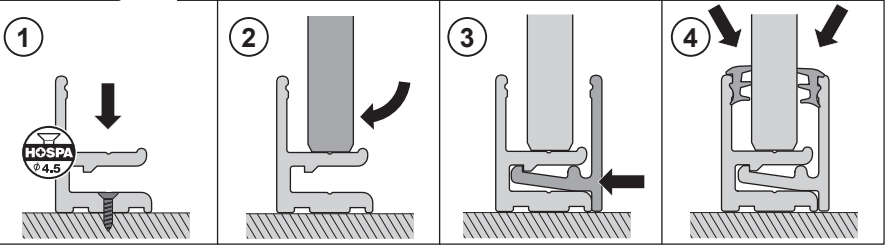
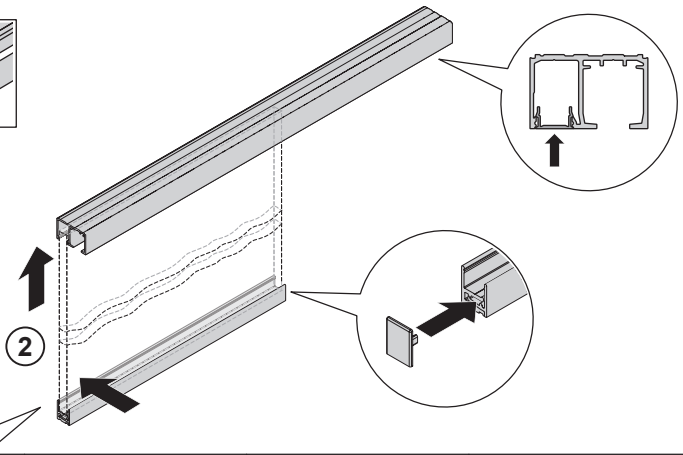
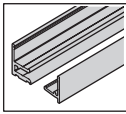
HDE 06.06.2024

3a



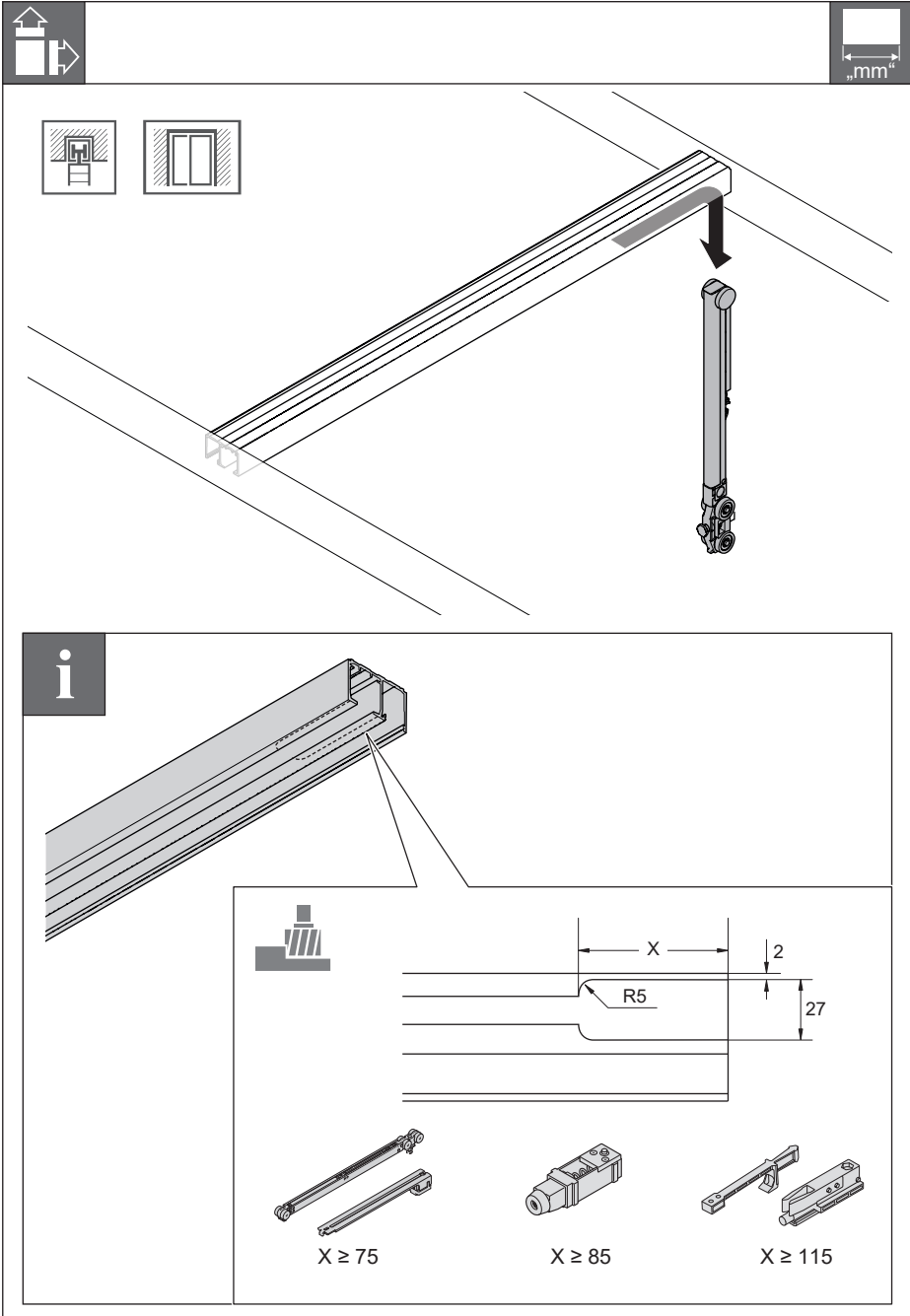
732.29.842

3b



[WS131]

HDE 06.06.2024



732.29.842

[WS131]

HDE 06.06.2024