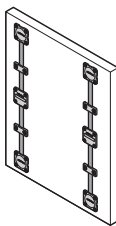
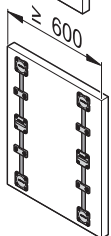
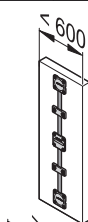




406.99.613
406.99.614
406.99.615



732.24.181



A 2x

B 2x

C 2x

D 2x

E 2x

F 2x

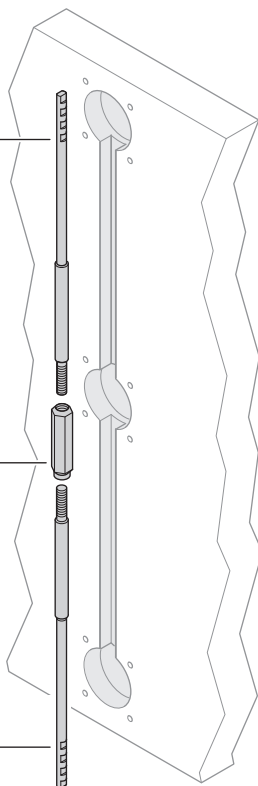
C 2x

D 2x

G 2x

B 2x

H



+



I

HOSPA

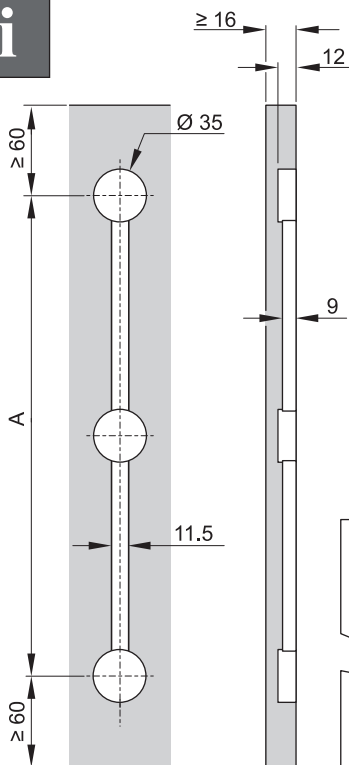


HDE 03.12.2019

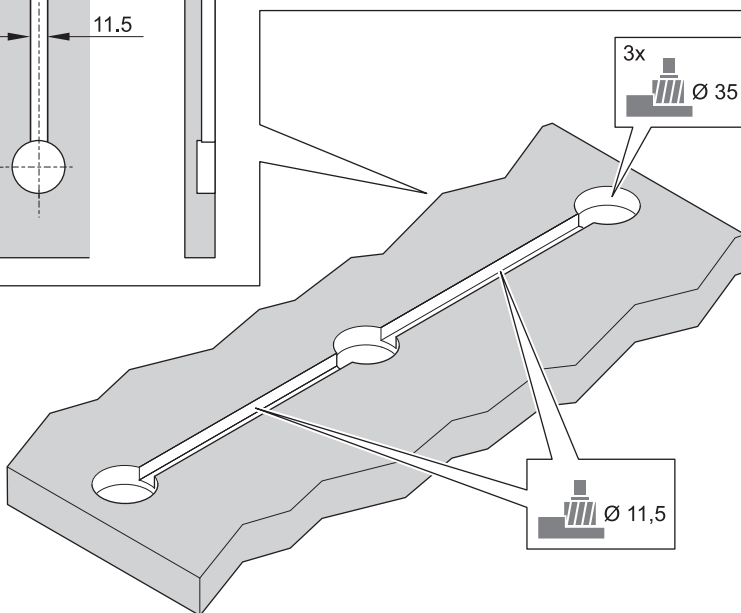
1



i



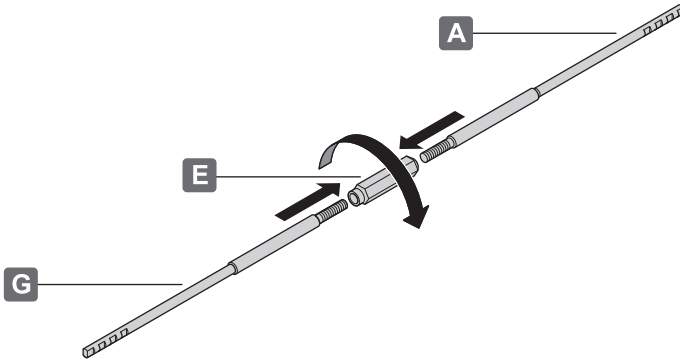
| | | |
|------------|--------|------|
| | | |
| 406.99.613 | ≤ 2250 | 1838 |
| 406.99.614 | ≤ 2450 | 1988 |
| 406.99.615 | ≤ 2650 | 2248 |



732.24.181

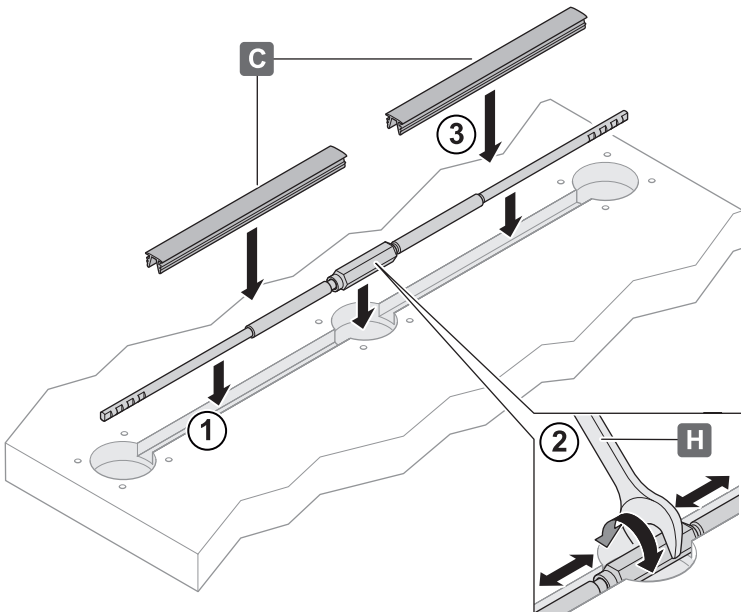
HDE 03.12.2019

2



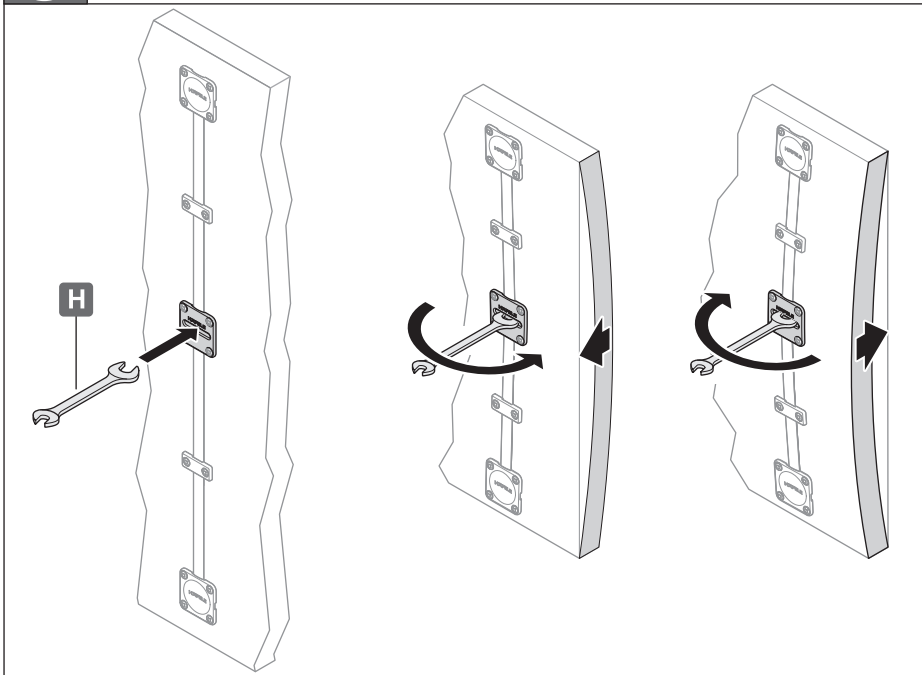
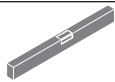
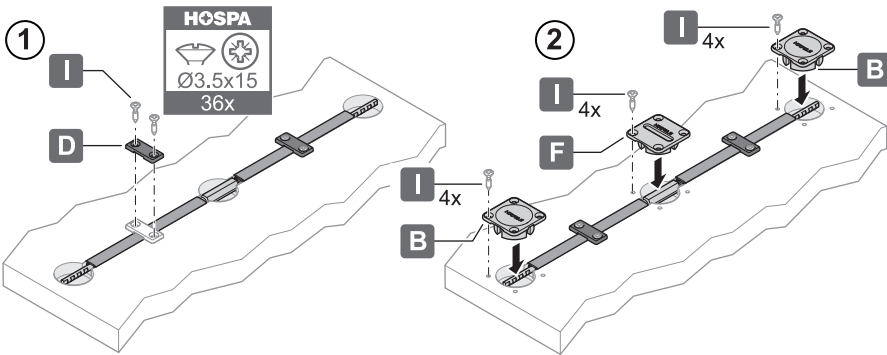
732.24.181

3



HDE 03.12.2019

4



732.24.181

HDE 03.12.2019